

CHECK VALVES Series VNR

CHECK VALVES

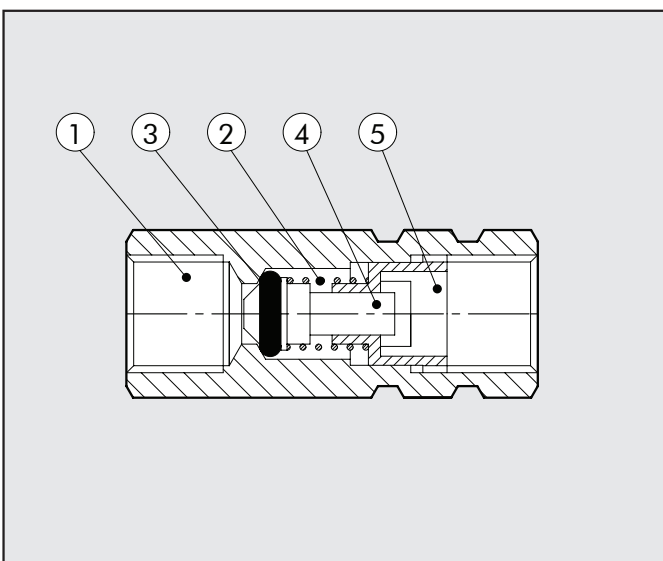
This allow air flow in only one of the two directions.



22.100

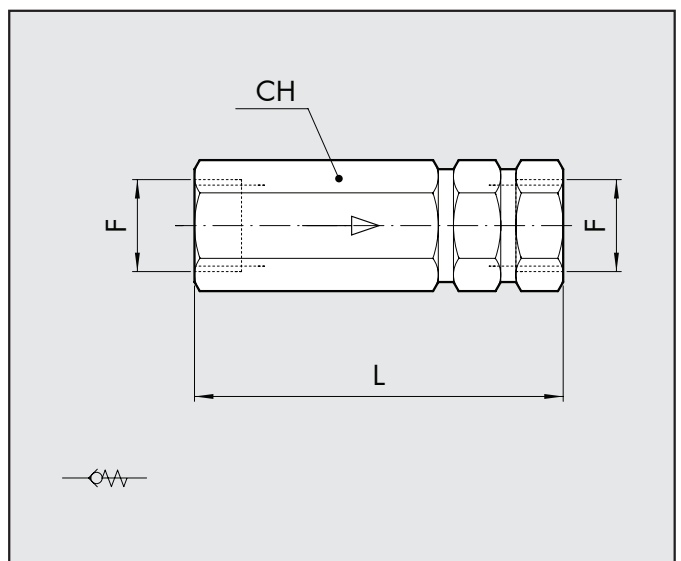
TECHNICAL DATA		1/8"	1/4"
Ports		G 1/8"	G 1/4"
Nominal diameter	mm	5.2	7
Nominal flow rate	NI/min	900	1100
Operating temperature range	°C	-10° to 70°	
	°F	14° to 158°	
Operating pressure	bar	2 to 10	
	MPa	0,2 to 1	
Opening pressure	bar	0,05 (5 KPa)	
Fluid		Lubricated or unlubricated filtered air	

COMPONENTS



- ① Body: OT58 brass
- ② Valve spring: steel
- ③ Seal: NBR for 1/8 valve - FKM/FPM for 1/4 valve
- ④ Stem with OT58 brass valve
- ⑤ Stem insert: OT58 brass

DIMENSIONS AND ORDERING CODES



Code	Descript.	F	L	CH
VNR 1/8		1/8	35	13
VNR 1/4		1/4	41	17