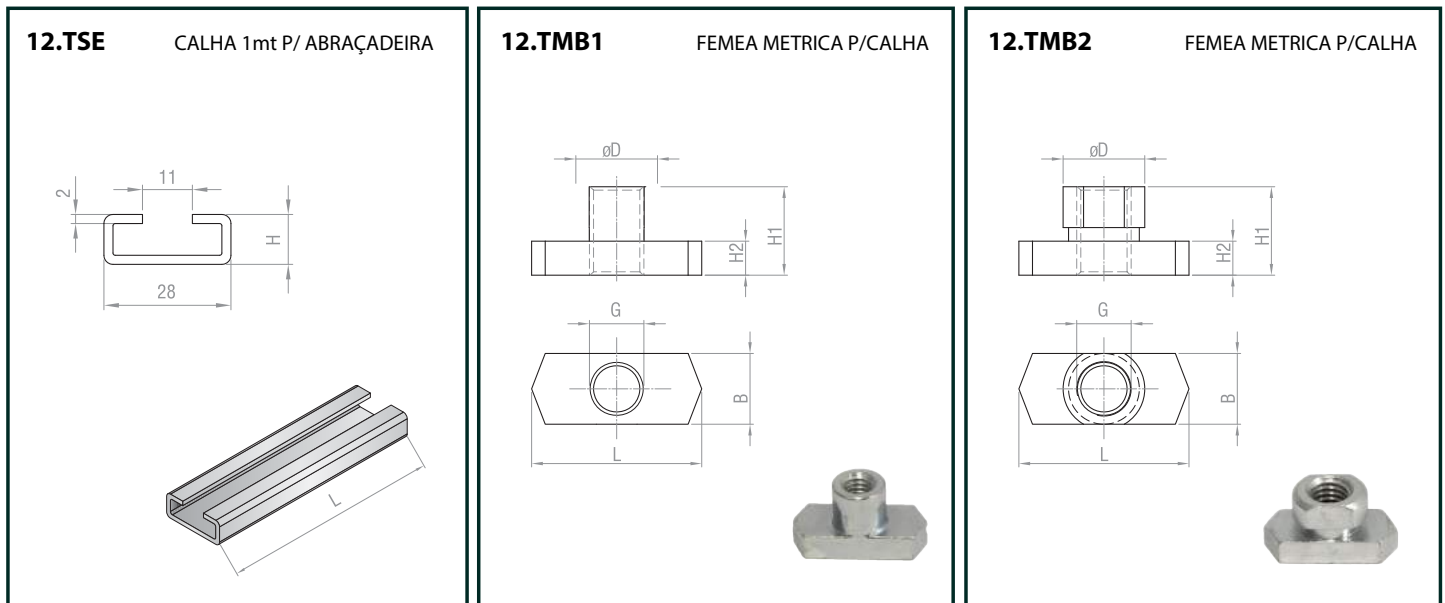


# Twin Series - Components

DIN 3015/3



			CALHA 1mt P/ ABRAÇADEIRA			FEMEA METRICA P/CALHA						
Ø O.D. of Pipe/ Tube/Hose mm	Nominal Bore Pipe inch	Ø O.D. of Pipe/ Tube/Hose inch	Dimension Table		Order Code	Dimension Table					Order Code	
			H	L		L	B	H1	H2	ØD		G
8		5/16				25.4	10.4	13	5	12	M6	<b>12.TMB1</b>
17,2	R 3/8	3/8	11	1 m	<b>12.TSE 1-11</b>							
19		3/4	14	1 m	<b>12.TSE 1-14</b>							
22		7/8				25.4	10.4	13	5	14	M8	<b>12.TMB2</b>