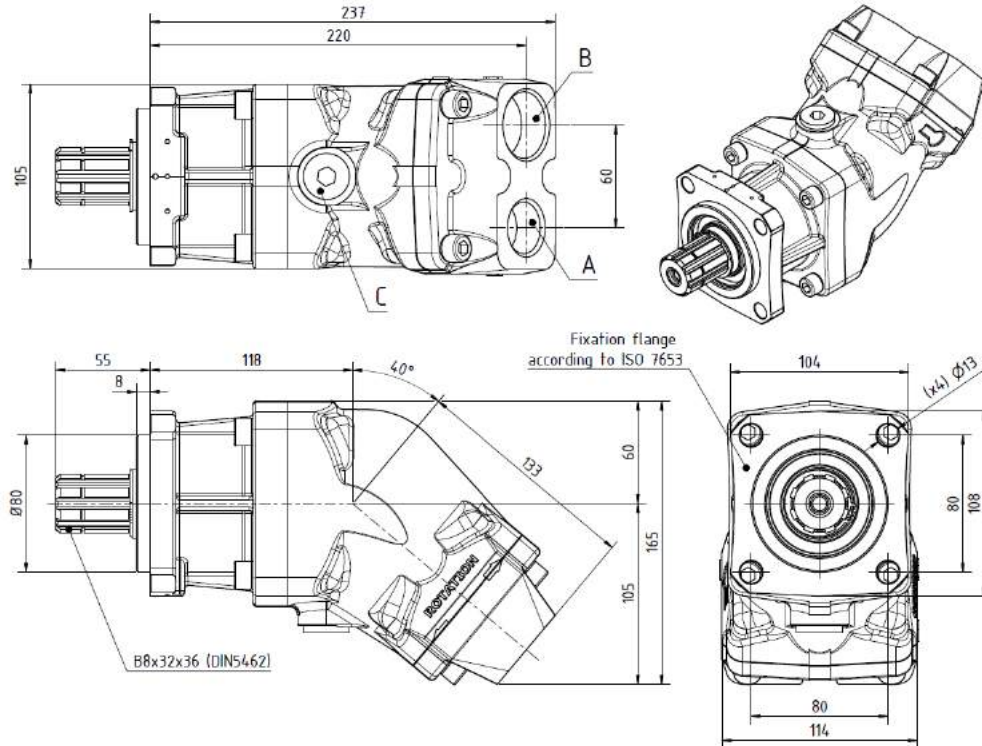


## Main Dimensions



(Dimensions in mm)

## Main Data

Pumps BIF	60M7	80M7
Displacement (cm <sup>3</sup> /rot.)	60	81
Operating pressure (bar) (up to)	400	350
Peak pressure (bar)	450	400
Operating rotation <sup>1</sup> (rpm)	2000	1500
Max. rotation without load <sup>1</sup> (rpm)	2600	2000
Weight (approx.) (kg)	12.8	12.8
Pistons quantity	7	
A-Oil outlet (DIN ISO 228)	3/4" BSP	1" BSP
B-Oil inlet (DIN ISO 228)	1" BSP	1 1/4" BSP
C	Drain hole	

### How to order:

**Example:** Pump 80cm<sup>3</sup>/rot, operating pressure up to 350 bar; peak pressure 400 bar, ref. BIF M7 → BIF80M7

Fluids	mineral oils type ISO HM or DIN 51524-2 HLP
Recommended viscosity range	20 to 40 cSt (mm <sup>2</sup> /s) at working temperature
Limits viscosity range	10 to 750 cSt (mm <sup>2</sup> /s)
Start-up viscosity range, without load	750 to 1500 cSt (mm <sup>2</sup> /s)
Filtration	10µm ISO4406 18/13
Inlet pressure range	0,8 to 2 bar abs
In the application of any of these pumps; the use of these data does not exempt the reading of the instruction "BI pumps recommendations before start-up"	

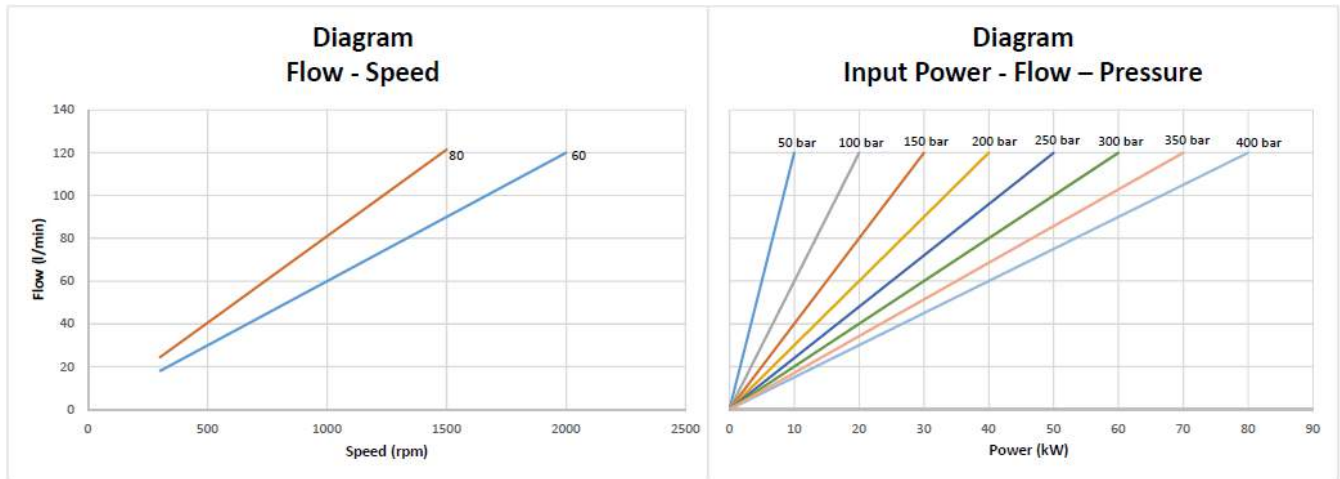
<sup>1</sup> These values are valid at an absolute pressure of 1 bar in suction port when operating with a mineral oil at a viscosity of 30 mm<sup>2</sup>/s (cSt).

ABER is constantly engaged in improving its products and, therefore, reserves itself the right to modify without any further notice the characteristics shown



# OIL-HYDRAULIC PISTON PUMP IRON CAST BENT AXIS PUMP

Ref. BIF M7



## Hose dimensions

Inlet Hose	
Flow (l/min)	Internal pipe diameter (inch)
30-40	1"1/4
50-60	1"1/2
70-90	1"3/4
100-120	2"
130-150	2"1/4

Outlet Hose					
Flow (l/min)	Internal pipe diameter (inch)				
	30	1/2"	1/2"	1/2"	1/2"
40	5/8"	1/2"	1/2"	1/2"	1/2"
50	5/8"	5/8"	5/8"	1/2"	1/2"
60	3/4"	5/8"	5/8"	5/8"	5/8"
70	1"	3/4"	3/4"	5/8"	5/8"
80	1"	3/4"	3/4"	3/4"	3/4"
90	1"	1"	1"	3/4"	3/4"
100	1"	1"	1"	1"	3/4"
110	1"	1"	1"	1"	1"
120	1"	1"	1"	1"	1"
130	1"	1"	1"	1"	1"
140	1"1/4	1"	1"	1"	1"
150	1"1/4	1"	1"	1"	1"
	50-100	100-150	150-200	200-300	300-350
	<b>P (bar)</b>				

CTI BIF M7 1608 - 3

### Important notes:

- To install one of these pumps, please consult and respect the instruction "BI pumps recommendations before start-up";
- Other axis available, please consult "Axel options".

ABER is constantly engaged in improving its products and, therefore, reserves itself the right to modify without any further notice the characteristics shown