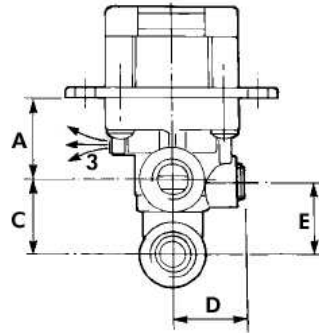
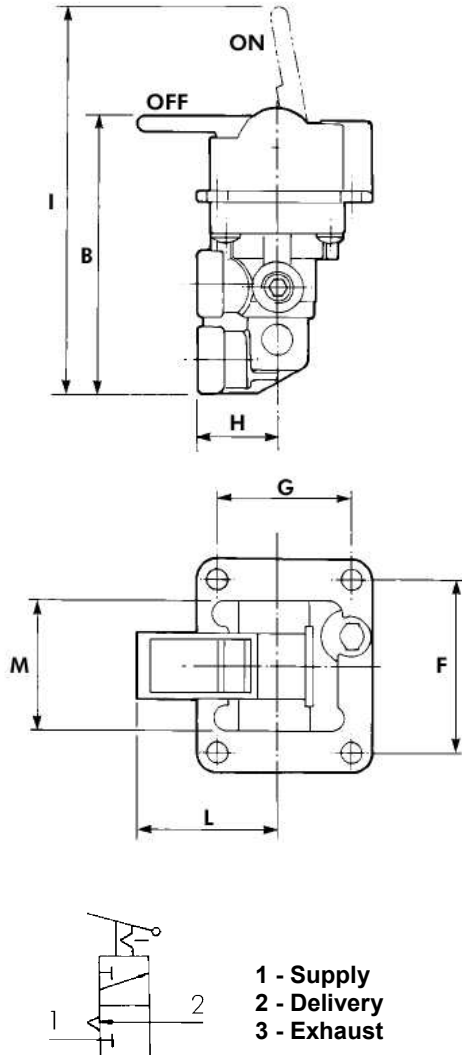


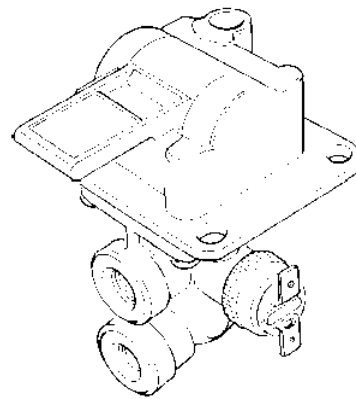
# One-way Valve

With Warning Light + Pressure Gauge

## Main Dimensions



- A. 25 mm
- B. 84 mm
- C. 23 mm
- D. 33 mm
- E. 22 mm
- F. 52 mm
- G. 40 mm
- H. 24 mm
- I. 117 mm
- L. 42 mm
- M. 40 mm



(Dimensions in mm)

## Main Data

Working medium	Air
Operating pressure (Bar)	up to 12
Working temperature	- 40°C / + 80 °C
Nominal diameter (mm)	3
Thread Ports	G1/8"
Weight (Kg)	0,150