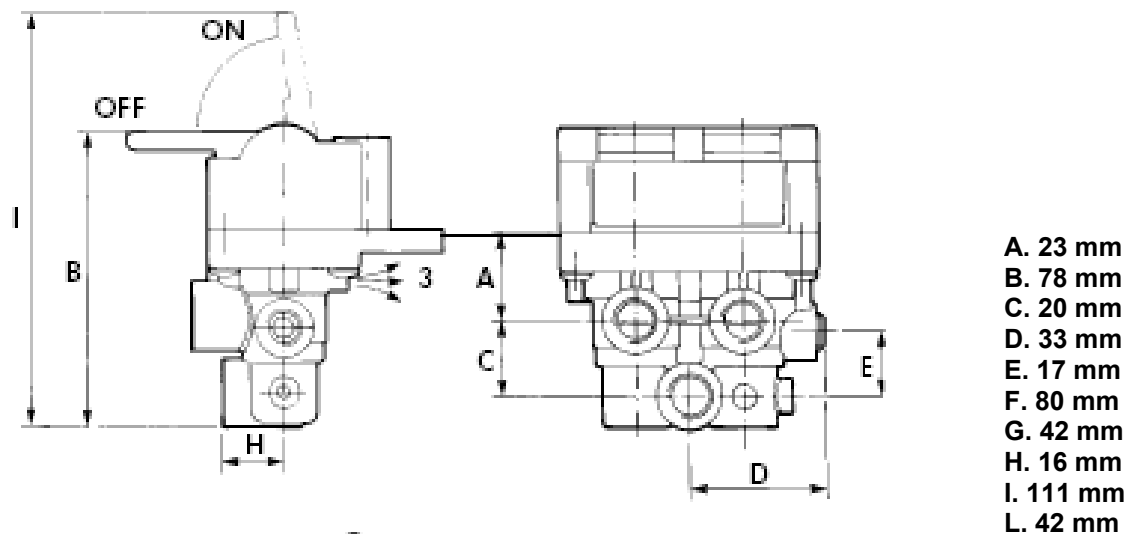


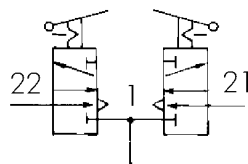
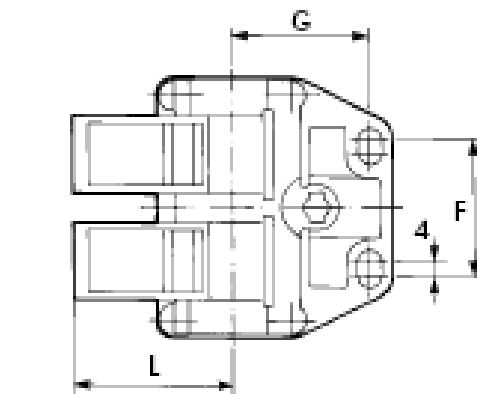
Double one-way Valve

With Warning Light + Pressure Gauge

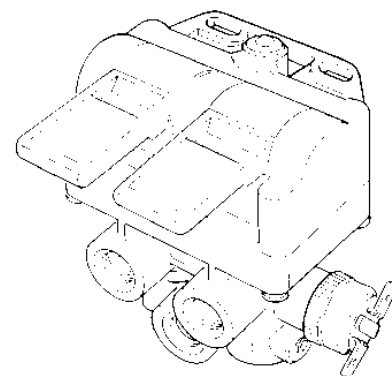
Main Dimensions



Threads depth 11.



1 - Supply
 21 / 22 - Delivery
 3 - Exhaust



(Dimensions in mm)

Main Data

Working medium	Air
Operating pressure (Bar)	up to 12
Working temperature	- 40°C / + 80 °C
Nominal diameter (mm)	3
Thread Ports	G1/8"
Weight (Kg)	0,230