

## DESCRIPTION

Solenoid valve 2 way normally open with servo-assisted diaphragm

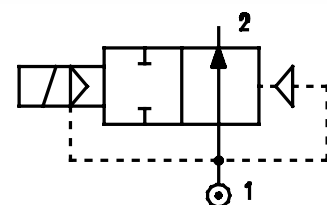
## CONSTRUCTION


|                  |                  |
|------------------|------------------|
| Body and cover   | Brass            |
| Armature tube    | AISI 303         |
| Plunger and core | AISI 430FR       |
| Springs          | AISI 302         |
| Seal material    | NBR - FPM - EPDM |

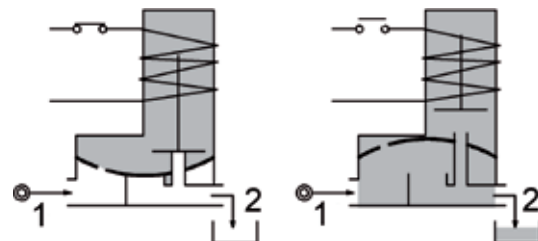


## FEATURES

- Minimum differential pressure 0.15bar
- Maximum allowable pressure PS 25bar<sup>③</sup>
- Maximum fluid viscosity 25cSt (mm<sup>2</sup>/s)
- Ambient temperature: from -10°C to +80°C according to the coil
- Preferred mounting position with vertical coil above



- OPTIONS:** Electroless nickel plating  
 Series 7 explosion proof coil according to ATEX - EExmII  
 c  us certified coils



**ON REQUEST:** Manual override

| CODE<br>① ②      | Connection<br>G<br>ISO 228 | Orifice<br>mm | Kv<br>m <sup>3</sup> /h | Differential pressure<br>bar |     |    | Nominal power |               |            | Coil   |       | Seal<br>① | Temp.<br>range<br>°C |
|------------------|----------------------------|---------------|-------------------------|------------------------------|-----|----|---------------|---------------|------------|--------|-------|-----------|----------------------|
|                  |                            |               |                         | Min                          | Max |    | AC<br>Inrush  | VA<br>Holding | DC<br>Watt | Series | Width |           |                      |
| E207B...10///... | 1/4"                       | 10            | 1.5                     | 0.15                         | 15  | 15 | 12            | 8             | 6.5        | 3      | 22    | NBR=B     | -10 +90              |
| E207C...10///... | 3/8"                       | 10            | 1.7                     | 0.15                         | 15  | 15 |               |               |            |        |       |           |                      |
| E207C...12///... | 3/8"                       | 12            | 2.2                     | 0.15                         | 15  | 15 |               |               |            |        |       |           |                      |
| E207D...12///... | 1/2"                       | 12            | 2.5                     | 0.15                         | 15  | 15 |               |               |            |        |       | EPDM=E    | -10 +140             |
| E207E...18///... | 3/4"                       | 18            | 5.5                     | 0.15                         | 13  | 13 |               |               |            |        |       |           |                      |
| E207F...25///... | 1"                         | 25            | 10.2                    | 0.15                         | 10  | 10 |               |               |            |        |       | FPM=V     |                      |
| E207G...30///... | 1" 1/4                     | 30            | 15                      | 0.15                         | 10  | 10 |               |               |            |        |       |           |                      |

① Seal Example: E207DB12///301 NBR seal  
 ② Coil Coil 24V DC

## ③ REMARK

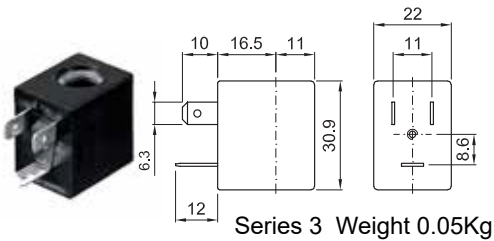
The maximum allowable pressure PS for steam 2,5bar (gauge pressure)

# Series 207

| COILS                          | Alternating Current 50/60Hz (V) |     |     |     |            |     |     | Direct Current (V) |     |     | Electrical connection | Connectors              |
|--------------------------------|---------------------------------|-----|-----|-----|------------|-----|-----|--------------------|-----|-----|-----------------------|-------------------------|
|                                | 12                              | 24  | 48  | 110 | 220<br>230 | 240 | 380 | 12                 | 24  | 48  |                       |                         |
| Series 3<br>Width 22<br>Code ② | 30A                             | 30B | 30C | 30D | 30E        | 30F | 30G | 300                | 301 | 302 | DIN 46244             | PG9<br>code<br>10348000 |

**DESCRIPTION**  
 Class F insulation  
 Voltage tolerance  
 AC +15% -10%  
 DC ± 10%  
 Protection class  
 IP65 with connector fitted  
 IP00 without connector  
 Continuous service ED100%

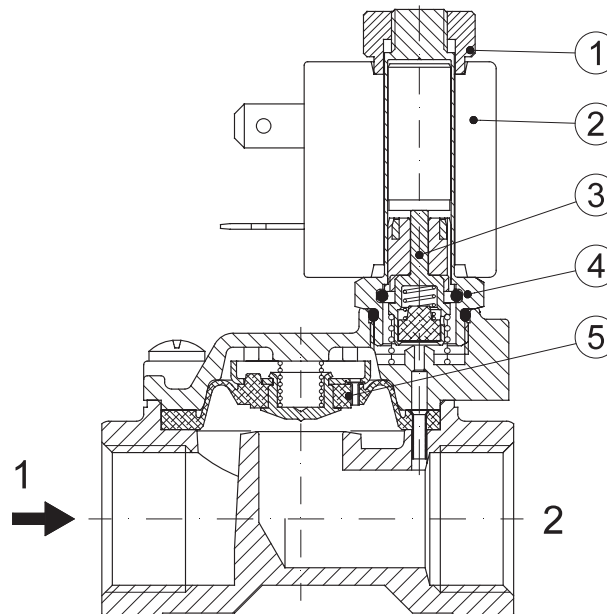
**OPTIONS**  
 Class H insulation  
 Cable attached  
 Special coil voltage  
 Special coil powers  
 cULus certified coils



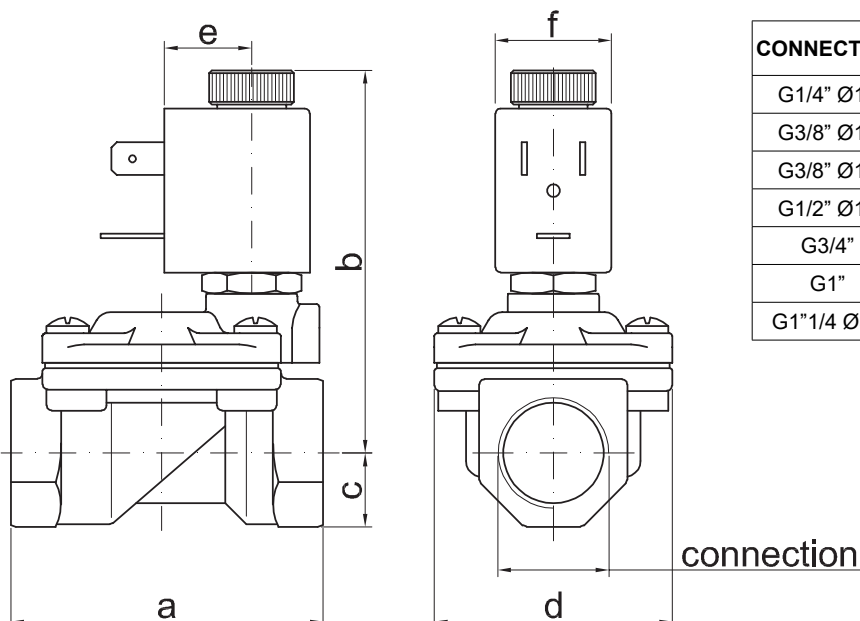
(for more details see section 8)

## SPARE PARTS LIST

1. Coil fixing nut
2. Coil
3. Seal assembly
4. Armature tube with core
5. Diaphragm assembly



## OVERALL DIMENSION



| CONNECTION  | a   | b  | c  | d  | e  | f  | weight<br>Kg |
|-------------|-----|----|----|----|----|----|--------------|
| G1/4" Ø10   | 49  | 65 | 11 | 32 | 16 | 22 | 0.23         |
| G3/8" Ø10   | 49  | 65 | 11 | 32 | 16 | 22 | 0.24         |
| G3/8" Ø12   | 59  | 73 | 14 | 45 | 16 | 22 | 0.42         |
| G1/2" Ø12   | 59  | 73 | 14 | 45 | 16 | 22 | 0.39         |
| G3/4"       | 79  | 76 | 18 | 55 | 16 | 22 | 0.65         |
| G1"         | 96  | 85 | 20 | 72 | 16 | 22 | 1.05         |
| G1 1/4" Ø30 | 119 | 96 | 25 | 85 | 16 | 22 | 1.70         |