





Working temperature: -20°C ÷ +120°C

Fixed hysteresis value: 12° C of the setting value

Switching accuracy: ± 3,5°C

Max temperature gradient: 1°C/min

Weight: 0,07 Kg

Body: in brass hexagonal, KEY24, 27 or 30 in base of type

Electric features:

- Electric protection according to CEI EN 60529:
 - IP54 for TM4 and TM6 with rubber protection cup P1
 - IP65 for TM4, TM6 and TS4
- Electric connection: according to DIN43650, M3 (360° rotatable connector on TM4)
- Maximum load on contacts :
 - AC -> 125V-15A / 220V-10A ----- DC -> 12V-10A / 24V-5A

Ref.	Temp. de intervenção	Pressão Máx.	Conexão
TM45A2	50°C	200	3/8" BSP
TM45A3	50°C	200	M22x1,5



Working temperature: -20°C ÷ +120°C

Fixed hysteresis value: 12° C of the setting value

Switching accuracy: ± 3,5°C

Max temperature gradient: 1°C/min

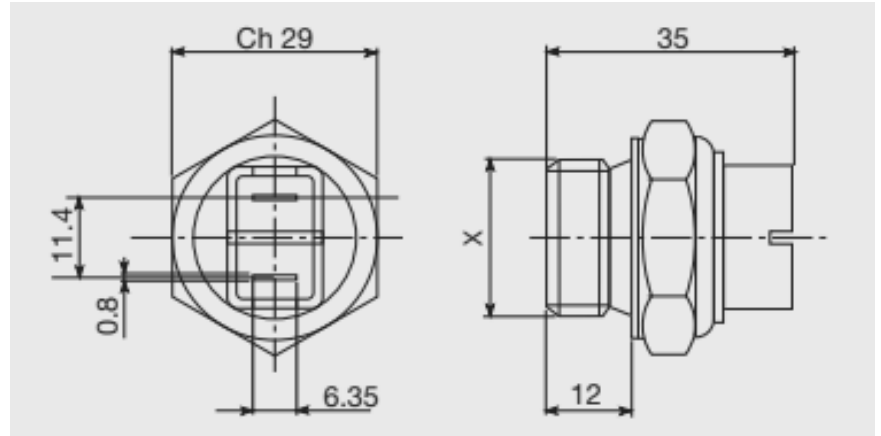
Weight: 0,17 Kg

Body: in brass hexagonal, KEY24, 27 or 30 in base of type

Electric features:

- Electric protection according to CEI EN 60529:
 - IP54 for TM4 and TM6 with rubber protection cup P1
 - IP65 for TM4, TM6 and TS4
- Electric connection: according to DIN43650, M3
- Maximum load on contacts :
 - AC -> 125V-15A / 220V-10A ----- DC -> 12V-10A / 24V-5A

Ref.	Temp. de intervenção	Pressão Máx.	Conexão
TM46A1	60°C	200	1/2" BSP



Ref.	Temp. de interveção	Pressão Máx.	Conexão
1TRM-60/50	50°C	200	M22x1,5