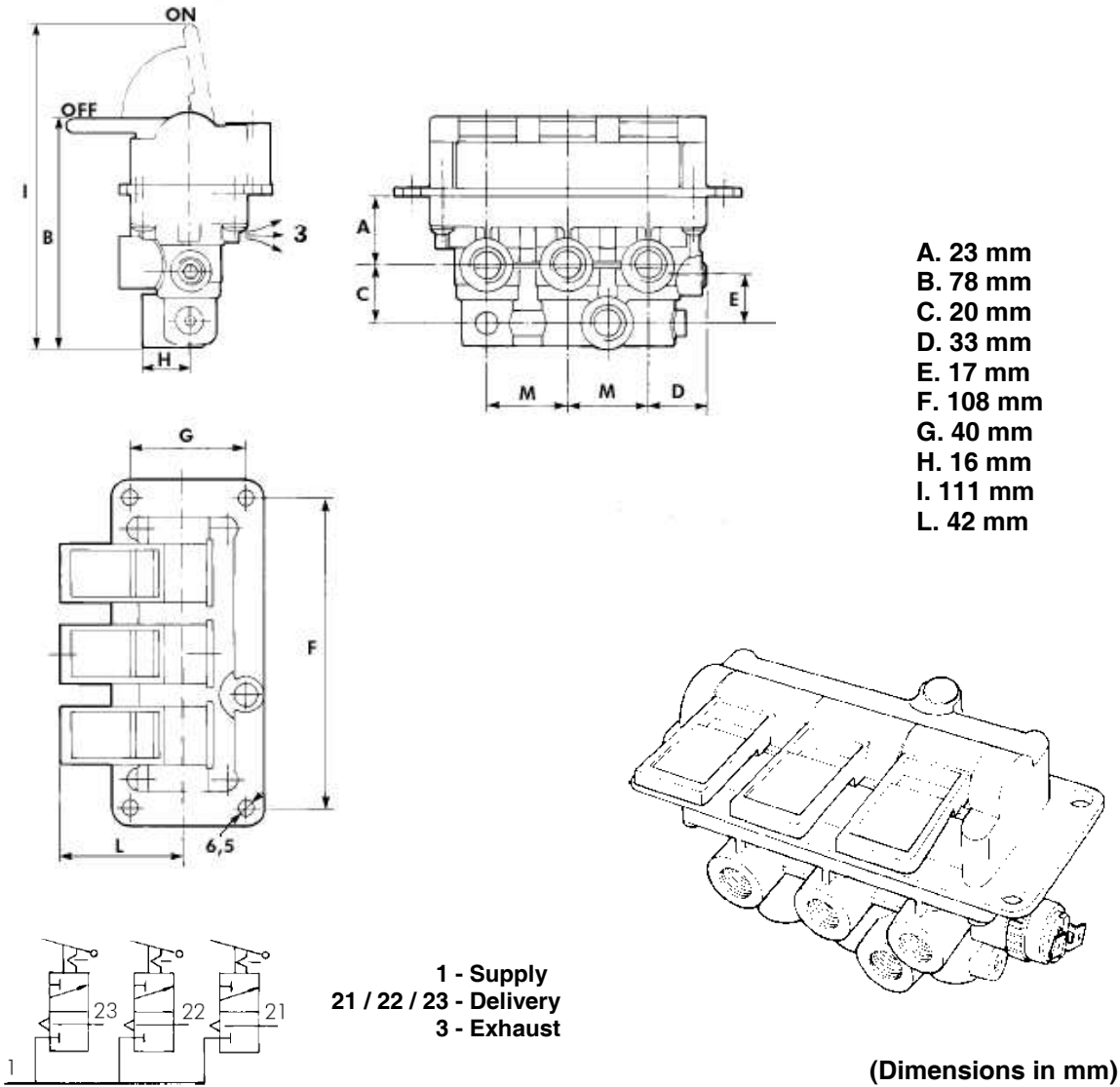




Triple one-way Valve

With Warning Light + Pressure Gauge

Main Dimensions



Main Data	
Working medium	Air
Operating pressure (Bar)	up to 12
Working temperature	- 40°C / + 80 °C
Nominal diameter (mm)	3
Thread Ports	G1/8"
Weight (Kg)	0,310