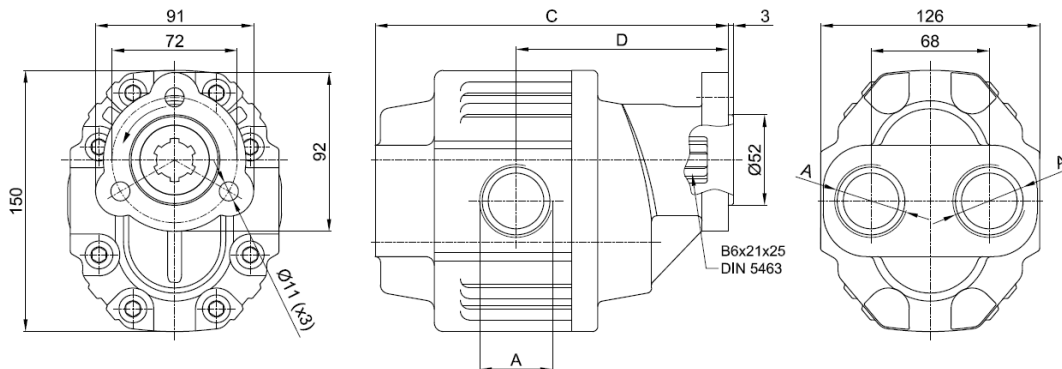




Main Dimensions



Right hand

Left hand

(Dimensions in mm)

Main Data

Pumps B33GT		38	45	52	61	70	82	90	105	115	125	
Displacement	cm ³ /rev	38	46	52	61	70	82	91	102	116	125	
Max. rotation speed	rpm	2500	2500	2200	2000	1900	1800	1800	1600	1600	1500	
Min. rotation speed	rpm	500	500	500	500	500	500	500	500	500	500	
Max. continuous pressure	bar	280	280	260	240	220	210	190	190	180	170	
Max. intermittent pressure (max. 20s)	bar	300	300	280	260	240	230	210	210	200	190	
Max. peak pressure (max. 6s)	bar	315	315	295	275	255	245	225	225	215	205	
Weight	kg	11.1	11.3	11.6	12.2	12.6	13.2	13.6	14.4	15.0	15.6	
Sense of rotation		Bi-directional										
A - Inlet /Outlet (DIN ISO 228)	G (BSP)	3/4"			1"			1 1/4"				
C	mm	186	191	194	200	206	213	219	228	234	241	
D	mm	121	124	127	132	133	138	142	145	147	150	

How to order:

Example: Pump 38cm³/rev, continuous pressure up to 280 bar; peak pressure up to 315 bar, ref.B33GT → B33GT38

Note: Usually, used in frontal cylinders

Fluids	mineral oils type ISO HM or DIN 51524-2 HLP
Operating viscosity range	10 to 100 cSt (mm ² /s) at working temperature
Máx operating limits viscosity	750 cSt
Oil temperature range	-25°C to 80°C
Filtration	>200bar = 10µm <200bar = 25 µm
In the application of any of these pumps; the use of these data does not exempt the reading of the instruction "Gear pumps recommendations before start-up".	

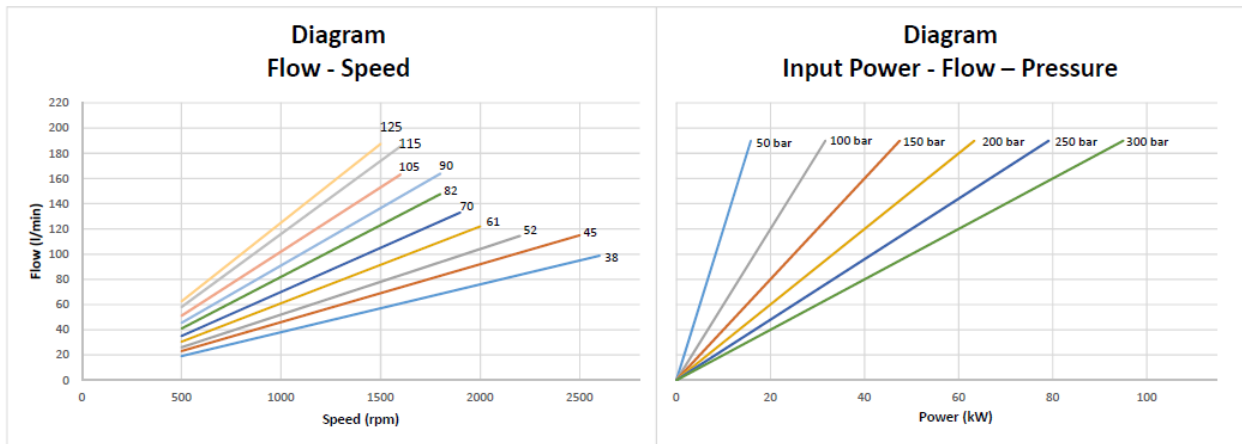
ABER is constantly engaged in improving its products and, therefore, reserves itself the right to modify without any further notice the characteristics shown



ABER - Embraiaçens e Comandos Hidráulicos - A. B. LDA

Rua Francisco de Almeida, Nº 30 – Vila Nova da Telha – 4470 MAIA - Portugal

Telephone: +351.22.9438070 Fax: +351.22.9420823 e-mail: aber@aber.pt <http://www.aber.pt>



Hose dimensions

Inlet Hose	
Flow (l/min)	Internal pipe diameter (inch)
30-40	1"1/4
50-60	1"1/2
70-90	1"3/4
100-120	2"
130-150	2"1/4
160-190	2"1/2
200-230	2"3/4
240-270	3"

Outlet Hose					
Flow (l/min)	Internal pipe diameter (inch)				
	30	1/2"	1/2"	1/2"	1/2"
40	5/8"	1/2"	1/2"	1/2"	
50	5/8"	5/8"	5/8"	1/2"	
60	3/4"	5/8"	5/8"	5/8"	
70	1"	3/4"	3/4"	5/8"	
80	1"	3/4"	3/4"	3/4"	
90	1"	1"	1"	3/4"	
100	1"	1"	1"	1"	
110	1"	1"	1"	1"	
120	1"	1"	1"	1"	
130	1"	1"	1"	1"	
140	1"1/4	1"	1"	1"	
150	1"1/4	1"	1"	1"	
160	1"1/4	1"1/4	1"	1"	
170	1"1/4	1"1/4	1"	1"	
180	1"1/4	1"1/4	1"1/4	1"	
190	1"1/4	1"1/4	1"1/4	1"	
200	1"1/2	1"1/4	1"1/4	1"1/4	
210	1"1/2	1"1/4	1"1/4	1"1/4	
220	1"1/2	1"1/4	1"1/4	1"1/4	
230	1"1/2	1"1/2	1"1/4	1"1/4	
240	1"1/2	1"1/2	1"1/4	1"1/4	
		50-100	100-150	150-200	200-300
P (bar)					

Important notes:

- Other axis available, please consult "Axel options".

ABER is constantly engaged in improving its products and, therefore, reserves itself the right to modify without any further notice the characteristics shown

