

**DESCRIPTION**

Solenoid valve 2 way normally open  
direct acting poppet type

**CONSTRUCTION**

Body	Brass
Armature tube	Brass
Plunger and core	AISI 430FR
Springs	AISI 302
Seal material	NBR - FPM - EPDM

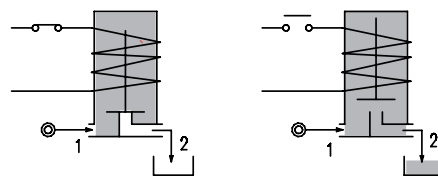
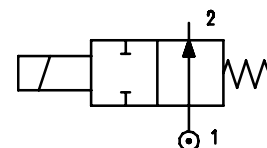


**FEATURES**

Maximum allowable pressure PS 50bar<sup>④</sup>  
 Maximum fluid viscosity 25cSt (mm<sup>2</sup>/s)  
 Ambient temperature: from -10°C to +80°C according to the coil  
 Universal mounting position

**OPTIONS:** Stainless steel armature tube  
 Electroless nickel plating  
 c  us certified coils

**ON REQUEST:** Versions for use with fluid temperature at -40°C  
 Manual override



CODE ① ② ③	Connection G ISO 228	Orifice mm	Kv m <sup>3</sup> /h	Differential pressure bar			Nominal power			Coil		Seal ①	Temp. range °C						
				Min	Max		AC Inrush	VA Holding	DC Watt	Series	Width								
					AC	DC													
E206... ..15///...	1/8"	1.5	0.07	0	23	20	15	-	2	30	NBR=B	-10 +90							
E206... ..20///...		2	0.1	0	17														
E206... ..25///...		1/4"	2.5	0.15	0								12						
E206... ..35///...		3.5	0.32	0	7														
E206... ..45///...	1/4"	4.5	0.41	0	4.5	40	30	27	5	36			EPDM=E	-10 +140					
E206... ..52///...		5.2	0.47	0	3														
E206... ..15///...		1/8"	1.5	0.07	0										23	23			
E206... ..20///...	2	0.1	0	17	17														
E206... ..25///...	1/4"	2.5	0.15	0	12										12				
E206... ..35///...	3.5	0.32	0	7	7														
E206... ..45///...	1/4"	4.5	0.41	0	4.5										4.5				
E206... ..52///...		5.2	0.47	0	3										3				
E206... ..64///...		6.4	0.64	0	3.5						3.5								
D206... ..15/3/...	1/8"	1.5	0.07	0	-						18	-			-	10	2	30	-
D206... ..20/3/...		2	0.1	0	-						11								
D206... ..25/3/...		1/4"	2.5	0.15	0						-								
D206... ..35/3/...		3.5	0.32	0	-	4													
D206... ..45/3/...	1/4"	4.5	0.41	0	-	3													
D206... ..52/3/...		5.2	0.47	0	-	2.2													

- ① Connection: A=1/8" , B=1/4"
- ② Seal
- ③ Coil

Example: E206BB35///20E NBR seals  
 Coil 230V 50/60Hz


**④ REMARK**

The maximum allowable pressure PS for steam is 2.5bar (gauge pressure)

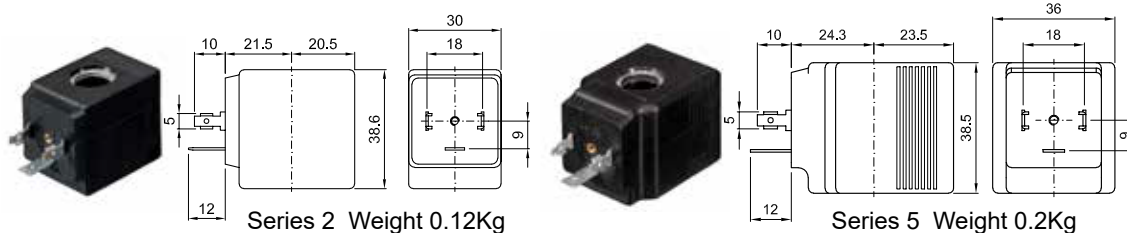
# Series 206

COILS	Alternating Current 50/60Hz (V)							Direct Current (V)			Electrical connection	Connectors
	12	24	48	110	220 230	240	380	12	24	48		
Series 2 Width 30 Code ③	20A	20B	20C	20D	20E	20F	20G	200	201	202	DIN 43650A	PG9 code 10349000
Series 5 Width 36 Code ③	52A	52B	52C	52D	52E	52F	52G	520	521	522	DIN 43650A	PG11 code 10349001

**DESCRIPTION**  
 Insulation class  
 Series 2 =F Series 5=H  
 Voltage tolerance  
 AC +15% -10%  
 DC ± 10%  
 Protection class  
 IP65 with connector fitted  
 IP00 without connector

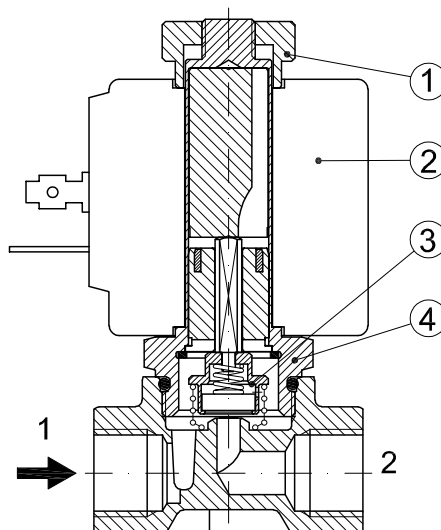
**OPTIONS**  
 Class H insulation (series 2)  
 Cable attached  
 Special coil voltage  
 Special coil powers  
 c  US certified coils

(for more details see section 8)

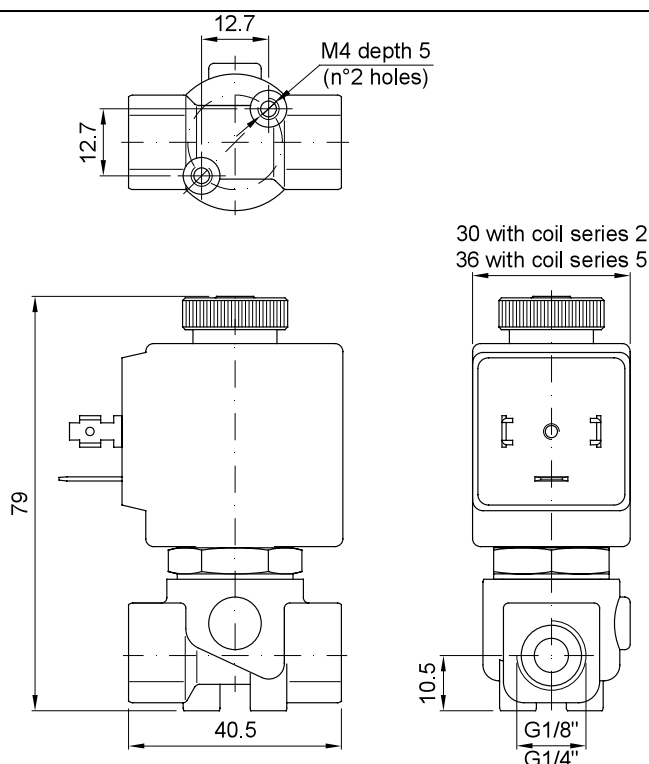


## SPARE PARTS LIST

1. Coil fixing nut
2. Coil
3. Seal assembly
4. Armature tube assembly



## OVERALL DIMENSION



Weight with coil series 2=0.30Kg  
 Weight with coil series 5=0.38Kg