



Type VOSL/N1116 - VOSL/R1116 - VOSL/V1116 counterbalance valves

- Single acting
- Load Sensitive (type N)
- Relief compensated (type R)
- Vented (type V)
- Configuration with F1 and F2 flange

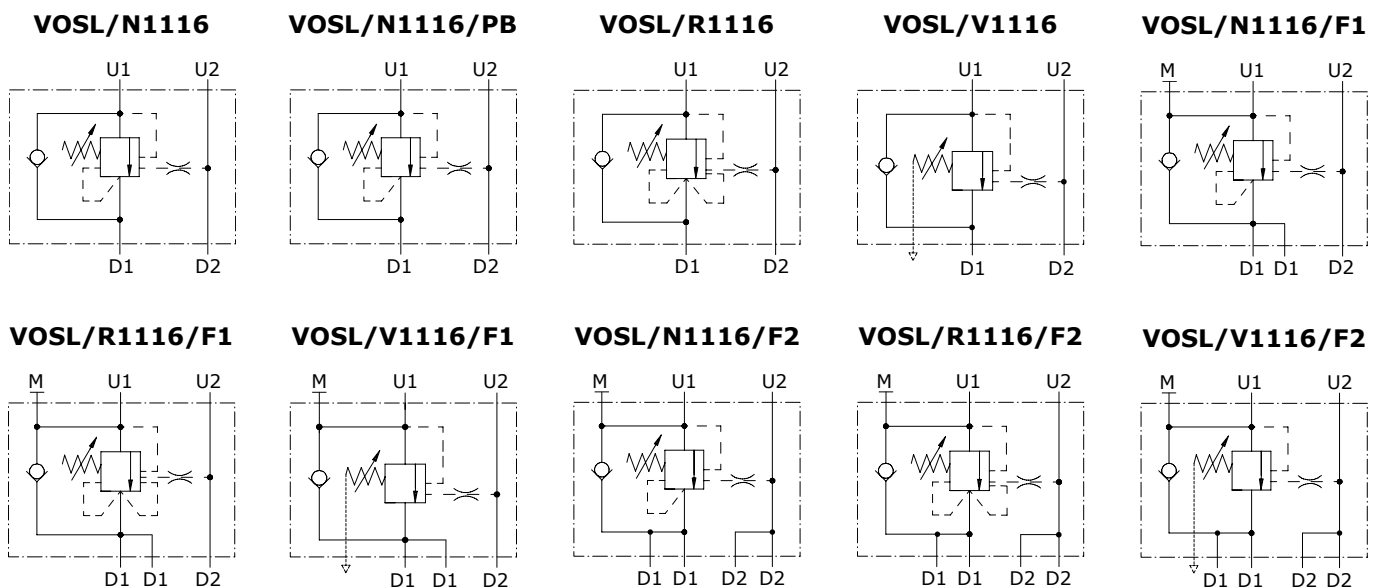
Technical specifications and diagrams are measured with mineral oil of 46 cSt viscosity at 40°C (104°F) temperature.

VOSL/N1116 (38-12) - VOSL/R1116 (38-12) - VOSL/V1116 (38-12)

Nominal flow	60 l/min (15.9 US gpm)
Max. pressure	Aluminium body = 210 bar (3050 psi) Steel body = 350 bar (5100 psi)
Oil leakage	0.25 cm ³ /min - 0.015 in ³ /min. (5 drops) at 210 bar - 3050 psi
Fluid	mineral based oil
Viscosity	from 10 to 200 cSt
Max. level of contamination	18/16/13 ISO4406
Fluid temperature	with NBR seals from -20°C (-4°F) to 80°C (176°F)
Environmental temp. for working conditions	from -40°C (-40°F) to 100°C (212°F)

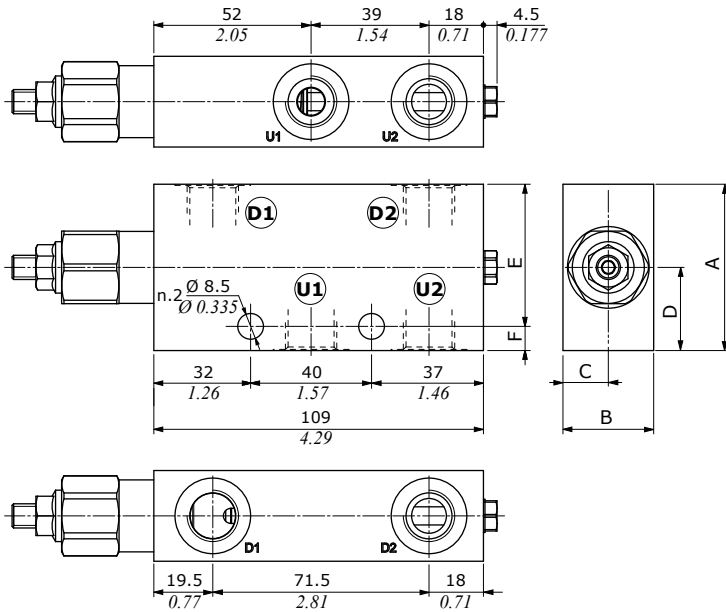
Weight	aluminium	VOSL/N1116/38: 0.59 kg (1.30 lb) - VOSL/N1116/12: 0.75 kg (1.65 lb) VOSL/R1116/38: 0.64 kg (1.41 lb) - VOSL/R1116/12: 0.82 kg (1.81 lb) VOSL/V1116/38: 0.66 kg (1.46 lb) - VOSL/V1116/12: 0.83 kg (1.83 lb)
	steel	VOSL/N1116/38: 1.31 kg (2.88 lb) - VOSL/N1116/12: 1.74 kg (3.84 lb) VOSL/N1116/38PB: - VOSL/N1116/12PB: VOSL/R1116/38: 1.34 kg (2.95 lb) - VOSL/R1116/12: 1.73 kg (3.81 lb) VOSL/V1116/38: 1.36 kg (2.88 lb) - VOSL/V1116/12: 1.78 kg (3.92 lb)

NOTE - For different conditions, please contact Walvoil Sales Dpt.

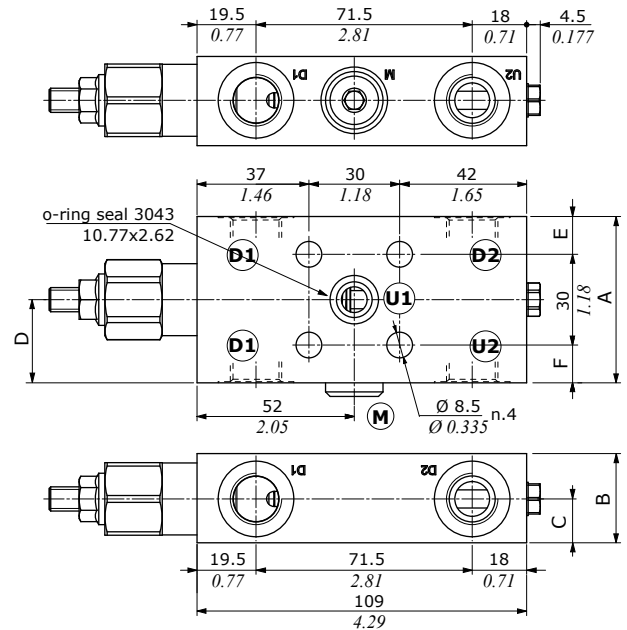


Dimensions

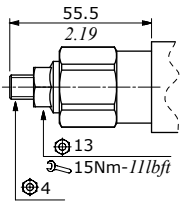
VOSL/...1116/38 - VOSL/...1116/12



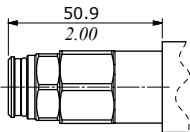
VOSL/...1116/38F1 - VOSL/...1116/12F1



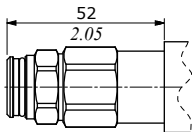
VOSL/N configuration



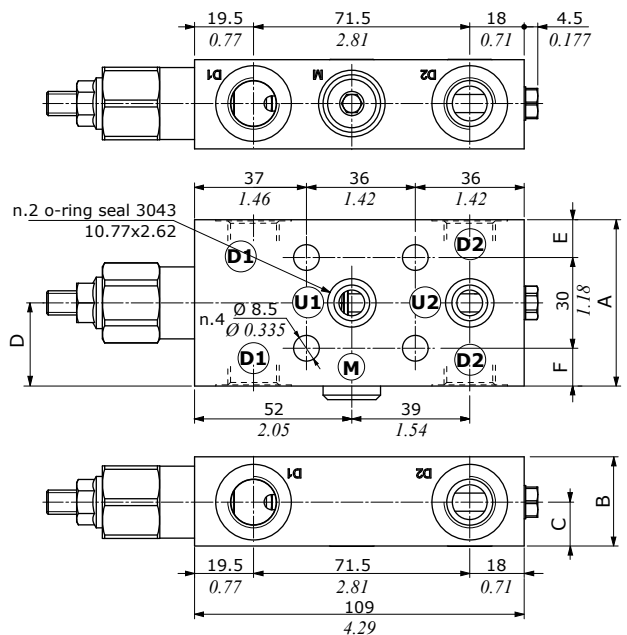
VOSL/R configuration



VOSL/V configuration



VOSL/...1116/38F2 - VOSL/...1116/12F2



Valve type	D1	D2	U1	U2	M
VOSL/...1116/38	G3/8	G3/8	G3/8	G3/8	-
VOSL/...1116/12	G1/2	G1/2	G1/2	G1/2	-
VOSL/...1116/38F1	G3/8	G3/8	Ø8.5 Ø0.335	G3/8	G1/4
VOSL/...1116/12F1	G1/2	G1/2	Ø8.5 Ø0.335	G1/2	G1/4
VOSL/...1116/38F2	G3/8	G3/8	Ø8.5 Ø0.335	Ø8.5 Ø0.335	G1/4
VOSL/...1116/12F2	G1/2	G1/2	Ø8.5 Ø0.335	Ø8.5 Ø0.335	G1/4

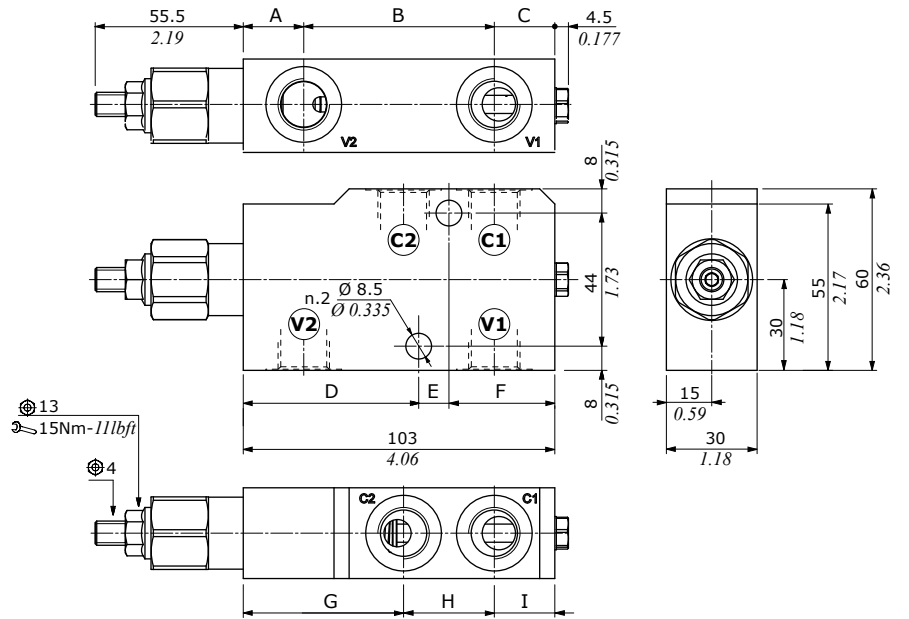
Valve type	D1	D2	U1	U2	M
VOSL/...1116/S8	SAE8	SAE8	SAE8	SAE8	-
VOSL/...1116/S10	SAE10	SAE10	SAE10	SAE10	-
VOSL/...1116/S8F1	SAE8	SAE8	Ø8.5 Ø0.335	SAE8	G1/4
VOSL/...1116/S10F1	SAE10	SAE10	Ø8.5 Ø0.335	SAE10	G1/4
VOSL/...1116/S8F2	SAE8	SAE8	Ø8.5 Ø0.335	Ø8.5 Ø0.335	G1/4
VOSL/...1116/S10F2	SAE10	SAE10	Ø8.5 Ø0.335	Ø8.5 Ø0.335	G1/4

Dimensions are in mm-in

Valve type	A	B	C	D	E	F
VOSL/...1116/38	55	30	15	27.5	47	8
VOSL/...1116/S8	2.17	1.18	0.59	1.08	1.85	0.315
VOSL/...1116/12	65	35	17.5	32.5	57	8
VOSL/...1116/S10	2.26	1.38	0.69	1.28	2.24	0.315
VOSL/...1116/38F1	55	29.5	14.5	27.5	12.5	12.5
VOSL/...1116/S8F1	2.17	1.16	0.57	1.08	0.49	0.49
VOSL/...1116/12F1	65	34.5	17	32.5	17.5	17.5
VOSL/...1116/S10F1	2.26	1.36	0.67	1.28	0.69	0.69
VOSL/...1116/38F2	55	29.5	14.5	27.5	12.5	12.5
VOSL/...1116/S8F2	2.17	1.16	0.57	1.08	0.49	0.49
VOSL/...1116/12F2	65	34.5	17	32.5	17.5	17.5
VOSL/...1116/S10F2	2.26	1.36	0.67	1.28	0.69	0.69

Ordering codes and description composition

VOSL/N1116/38PB - VOSL/N1116/12PB



Valve type	All ports
VOSL/N1116/38PB	G3/8
VOSL/N1116/12PB	G1/2

Dimensions are in mm-in

Valve type	A	B	C	D	E	F	G	H	I
VOSL/N1116/38PB	20-0.79	63-2.48	20-0.79	58-2.28	10-0.394	35-1.38	53-2.09	30-1.18	20-0.79
VOSL/N1116/12PB	20-0.79	69-2.72	14-0.55	60.5-2.38	10-0.394	32.5-1.28	53-2.09	36-1.42	14-0.55