

Tab. 02175

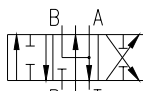
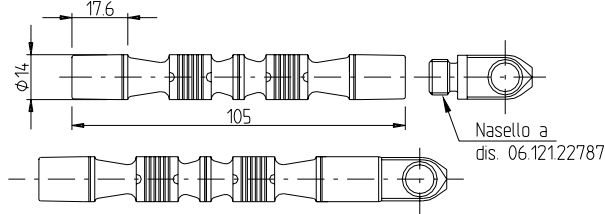
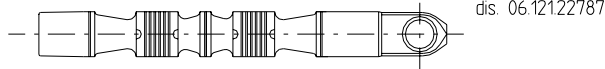
Tabella spool Distributorie Q35
Table for spool control valve Q35

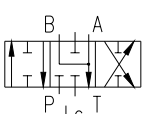
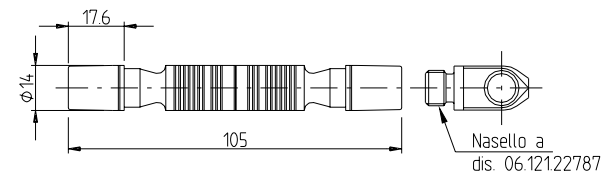
| Cod. | Schema/Scheme | | n°Disegno/n°Drawing |
|--------|---------------|--|---------------------|
| 101 | | | 06.010.28020 |
| 102 | | | |
| 103 | | | 06.010.28006 |
| 103 SI | | | |
| 104 | | | 06.010.28007 |
| 105 | | | |
| 106 | | | |
| 111 | | | 06.010.28073 |
| 111 SI | | | |
| 114 | | | 06.010.29326 |
| 116 | | | 06.010.28019 |
| 126 | | | |

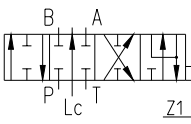
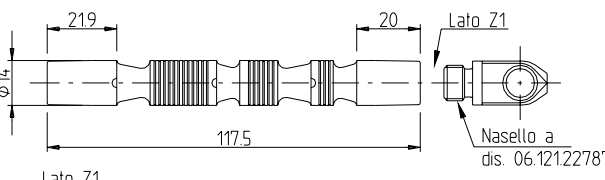
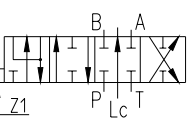
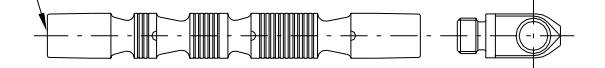
Tab. 02174 Tabella spool Distributore Q30 - Q25 - Q45 - Q50
Table for spool control valve Q30 - Q25 - Q45 - Q50

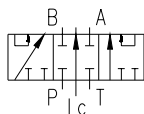
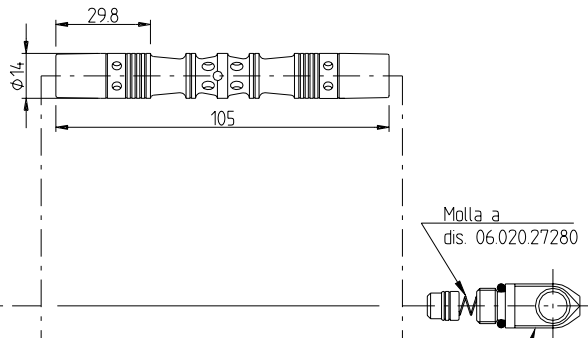
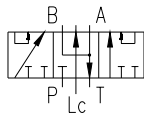
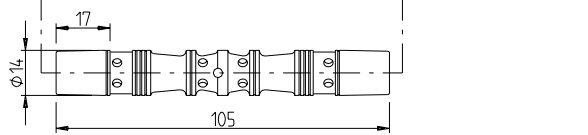
| Cod. | Schema/Scheme | | n°Disegno/n°Drawing |
|--------|---------------|--|---------------------|
| 101 | | | 06.010.28507 |
| 102 | | | |
| 103 | | | 06.010.28891 |
| 103 SI | | | 06.010.28968 |
| 104 | | | 06.010.28635 |
| 105 | | | |
| 106 | | | |
| 107 | | | 06.010.28842 |
| 108 | | | |
| 107 SI | | | 06.010.29912 |
| 108 SI | | | 06.010.29913 |
| 109 | | | 06.010.29865 |
| 110 | | | |

Tab. 02174 Tabella spool Distributore Q30 - Q25 - Q45 - Q50
Table for spool control valve Q30 - Q25 - Q45 - Q50

| Cod. | Schema/Scheme | | n°Disegno/n°Drawing |
|--------|---|--|---------------------|
| 111 |  |  | 06.010.28626 |
| 111 SI | |  | 06.010.28788 |

| Cod. | Schema/Scheme | | n°Disegno/n°Drawing |
|------|---|--|---------------------|
| 114 |  |  | 06.010.24776 |

| Cod. | Schema/Scheme | | n°Disegno/n°Drawing |
|------|---|--|---------------------|
| 116 |  |  | 06.010.28892 |
| 126 |  |  | |

| Cod. | Schema/Scheme | | n°Disegno/n°Drawing |
|------|---|--|---------------------|
| 403 |  |  | 06.010.28952 |
| 411 |  |  | 06.010.28954 |

VR. a dis. 06.01122784
OR 90° Sh 178x8.73
Molla a dis. 06.02027280
Nasello a dis. 06.12122787
Posizionatore a dis. 06.014.28009

Tab. 02176

Tabella spool Distributore Q80 - Q75 - Q95
Table for spool control valve Q80 - Q75 - Q95

| Cod. | Schema/Scheme | | n°Disegno/n°Drawing |
|--------|---------------|--|---------------------|
| 101 | | | 06.010.28919 |
| 102 | | | 06.010.28919 |
| 103 | | | 06.010.28791 |
| 103 SI | | | 06.010.28949 |
| 104 | | | 06.010.29983 |
| 105 | | | |
| 106 | | | |
| 107 | | | 06.010.29965 |
| 108 | | | |
| 109 | | | 06.010.23114 |
| 110 | | | |
| 111 | | | 06.010.28641 |
| 111 SI | | | 06.010.29967 |

Tab. 02176

Tabella spool Distributore Q80 - Q75 - Q95
Table for spool control valve Q80 - Q75 - Q95

| Cod. | Schema/Scheme | | n°Disegno/n°Drawing |
|------|---------------|--|---------------------|
| 114 | | | 06.010.23117 |

| Cod. | Schema/Scheme | | n°Disegno/n°Drawing |
|------|---------------|--|---------------------|
| 116 | | | 06.010.28978 |
| 126 | | | |

| Cod. | Schema/Scheme | | n°Disegno/n°Drawing |
|------|---------------|--|---------------------|
| 403 | | | 06.010.23124 |
| 411 | | | 06.010.23127 |

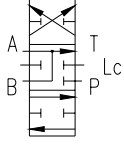
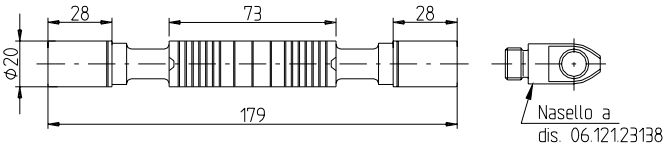
Tab. 02177

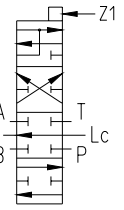
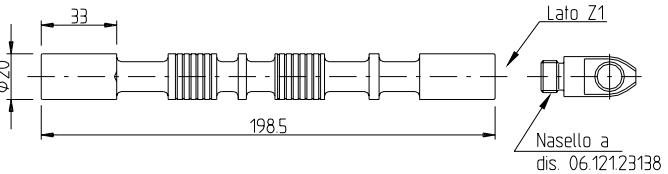
Tabella spool Distributore Q130
Table for spool control valve Q130

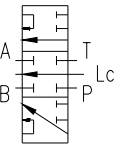
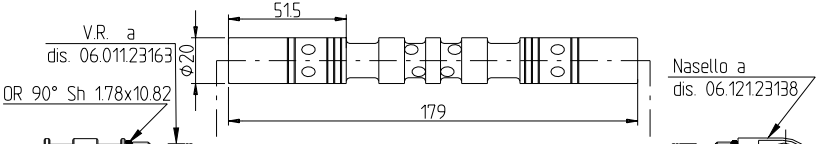
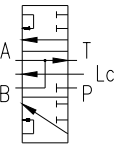
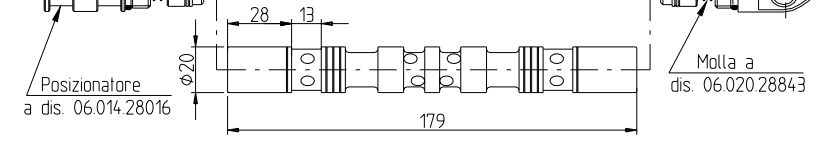
| Cod. | Schema/Scheme | | n°Disegno/n°Drawing |
|--------|---------------|--|---------------------|
| 101 | | | 06.010.29960 |
| 102 | | | |
| 103 | | | 06.010.29961 |
| 103 SI | | | 06.010.29836 |
| 104 | | | 06.010.29744 |
| 105 | | | |
| 106 | | | |
| 107 | | | 06.010.29969 |
| 108 | | | |
| 109 | | | 06.010.28140 |
| 110 | | | |
| 111 | | | 06.010.29962 |
| 111 SI | | | |

Tab. 02177

Tabella spool Distributore Q130
Table for spool control valve Q130

| Cod. | Schema/Scheme | | n°Disegno/n°Drawing |
|------|---|--|---------------------|
| 114 |  |  | 06.010.27905 |

| Cod. | Schema/Scheme | | n°Disegno/n°Drawing |
|------|---|--|---------------------|
| 116 |  |  | 06.010.28813 |

| Cod. | Schema/Scheme | | n°Disegno/n°Drawing |
|------|---|--|---------------------|
| 403 |  |  | 06.010.27933 |
| 411 |  |  | 06.010.27934 |



**Tabelle di riconoscimento spools
sensibilizzati**
Recognition sensitive spools tables

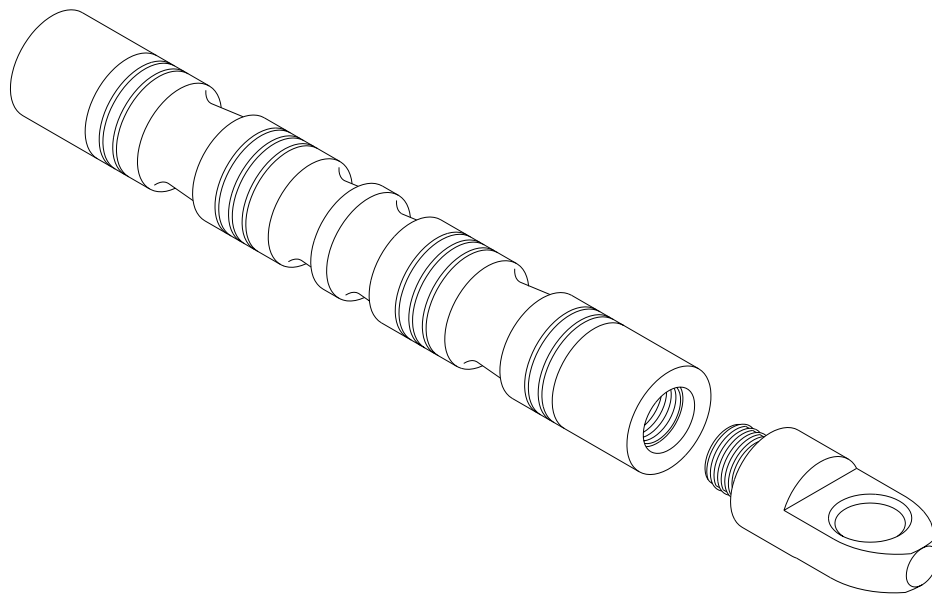


Tabella spools per distributori Q30 - Q25 - Q45 - Q50

Table for spools of control valves Q30 - Q25 - Q45 - Q50

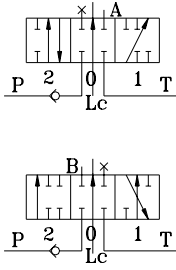
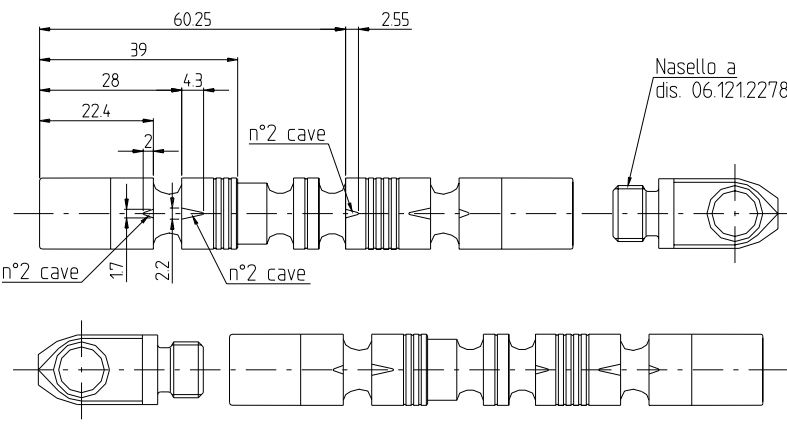
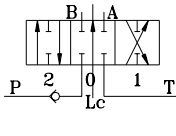
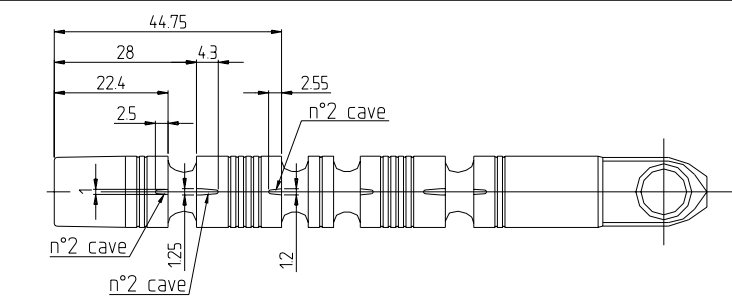
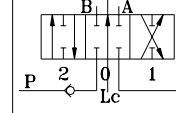
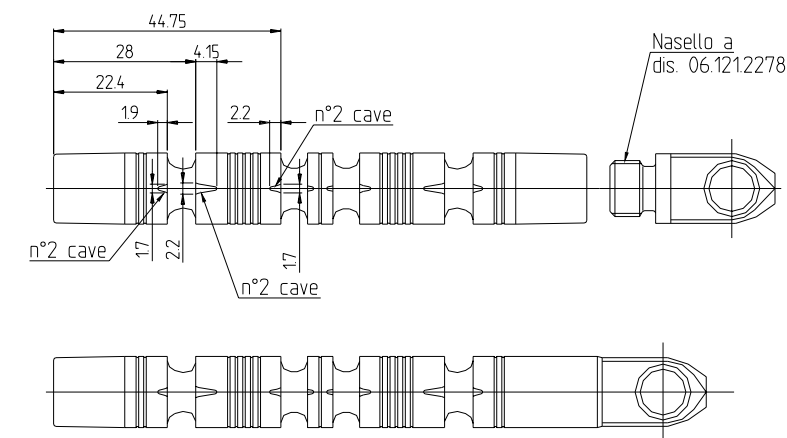
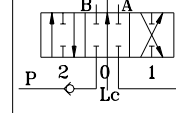
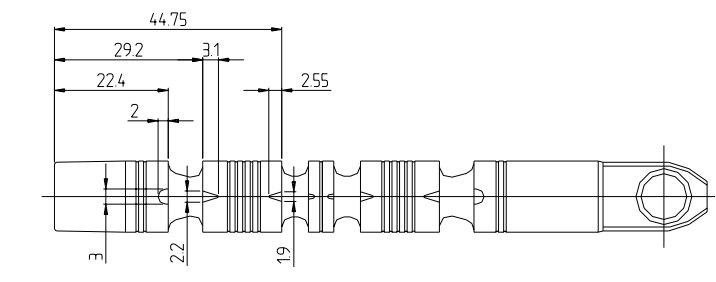
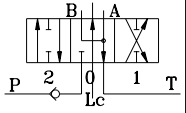
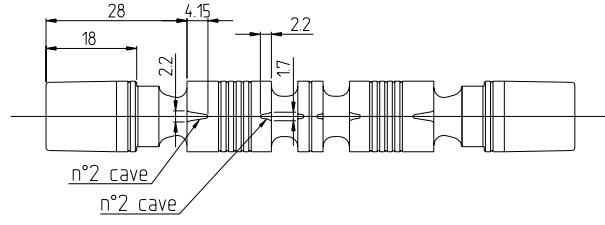
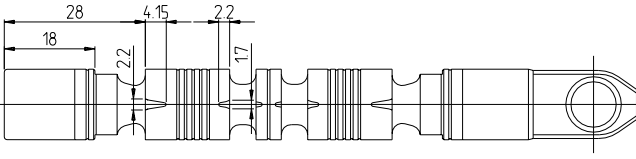
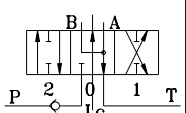
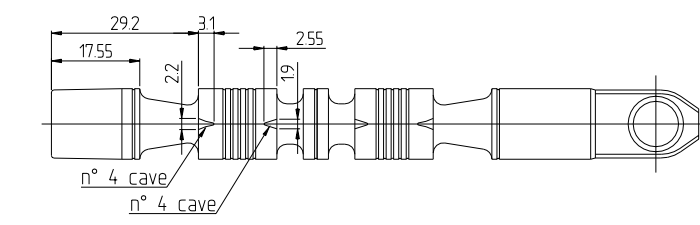
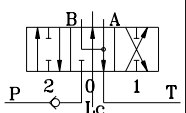
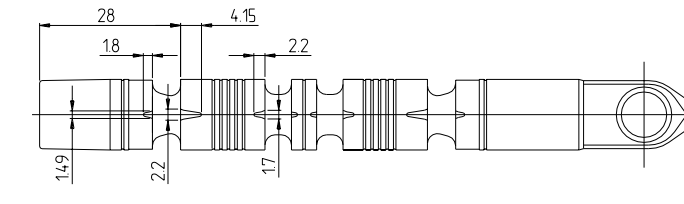
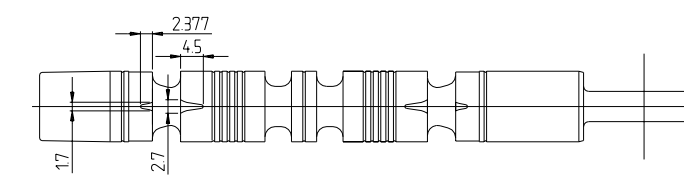
| Cod. | Schema/Scheme | | n°Disegno/n°Drawing |
|----------------------|---|--|------------------------------|
| 101.20 102.20 |  |  | 06.010.30049 |
| 103.05 203.05 |  |  | 06.010.28794 |
| 103.20 103.20SI |  |  | 06.010.28841 06.010.28789 |
| 103.25SI 203.25SI |  |  | 06.010.29498 |

Tabella spools per distributori Q30 - Q25 - Q45 - Q50
Table for spools of control valves Q30 - Q25 - Q45 - Q50

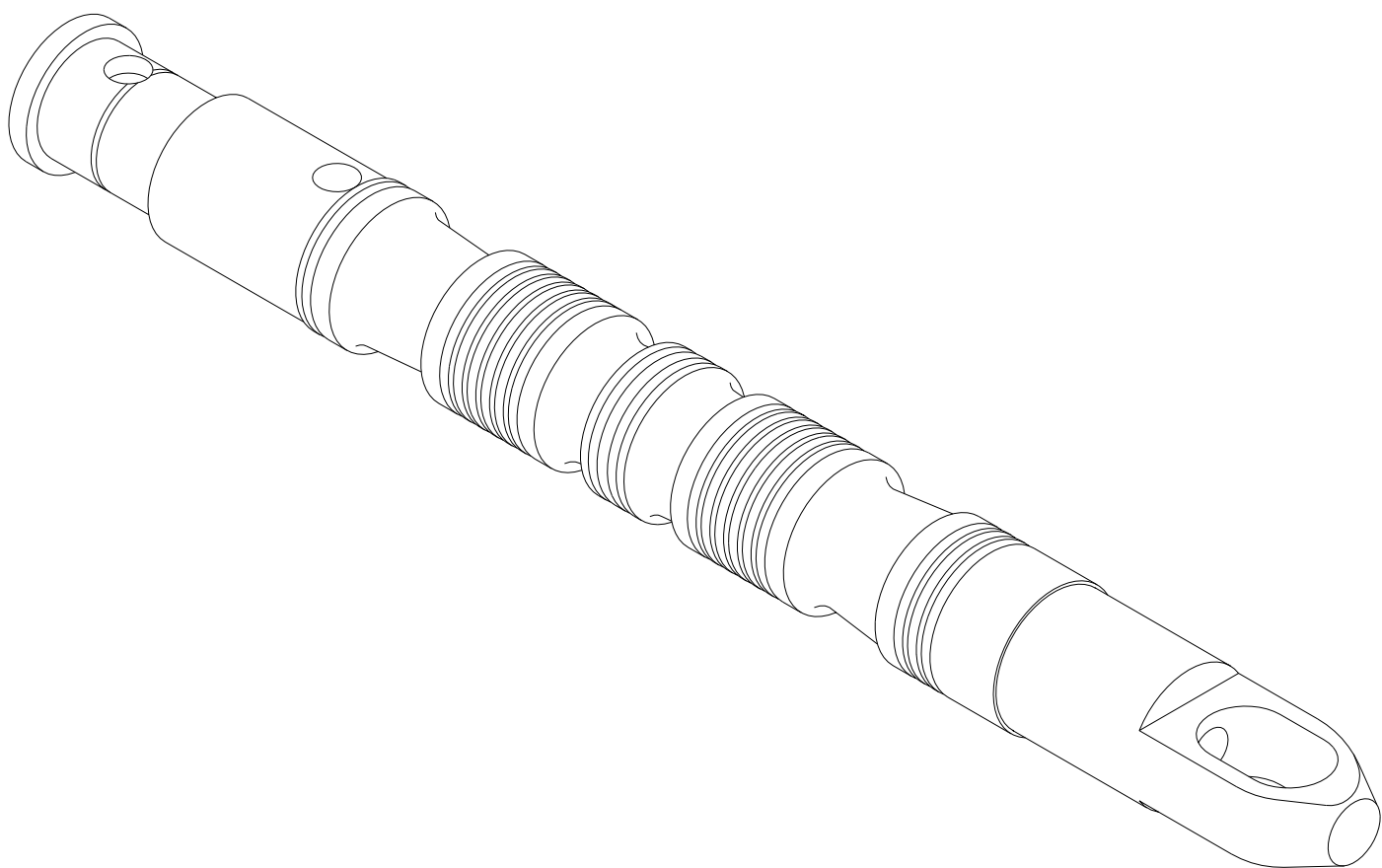
| Cod. | Schema/Scheme | | n°Disegno/n°Drawing |
|----------------------|---------------|--|---------------------|
| 103.40SI 203.40SI | | | 06.010.30380 |
| 107.20 108.20 | | | 06.010.30174 |
| 111.05 211.05 | | | 06.010.28790 |
| 111.10 211.10 | | | 06.010.29914 |

Tabella spools per distributori Q30 - Q25 - Q45 - Q50
Table for spools of control valves Q30 - Q25 - Q45 - Q50

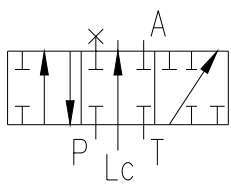
| Cod. | Schema/Scheme | | n°Disegno/n°Drawing |
|----------|---|--|---------------------|
| 111.20 |  |  | 06.010.29999 |
| 111.20SI | |  | 06.010.28795 |
| 111.25SI |  |  | 06.010.29937 |
| 211.25SI | | | |
| 111.40SI |  |  | 06.010.30405 |
| 211.40SI | |  | |

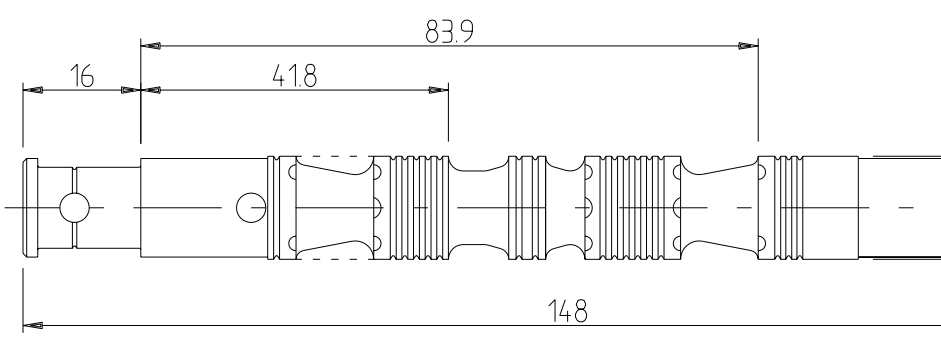


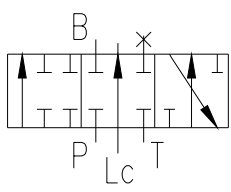
**Tabelle di riconoscimento spools per
distributori a comando elettrico**
*Recognition tables for electrical control
spools*

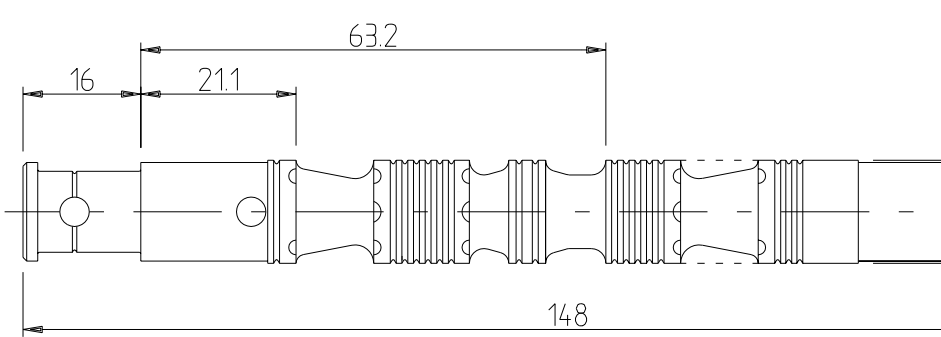


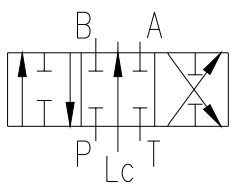
**Spools per distributori Q25 - Q30 - Q45 - Q50
con comando elettrico diretto D4**
*Spools for directional control valves Q25 - Q30 - Q45 - Q50
with D4 direct electrical control*

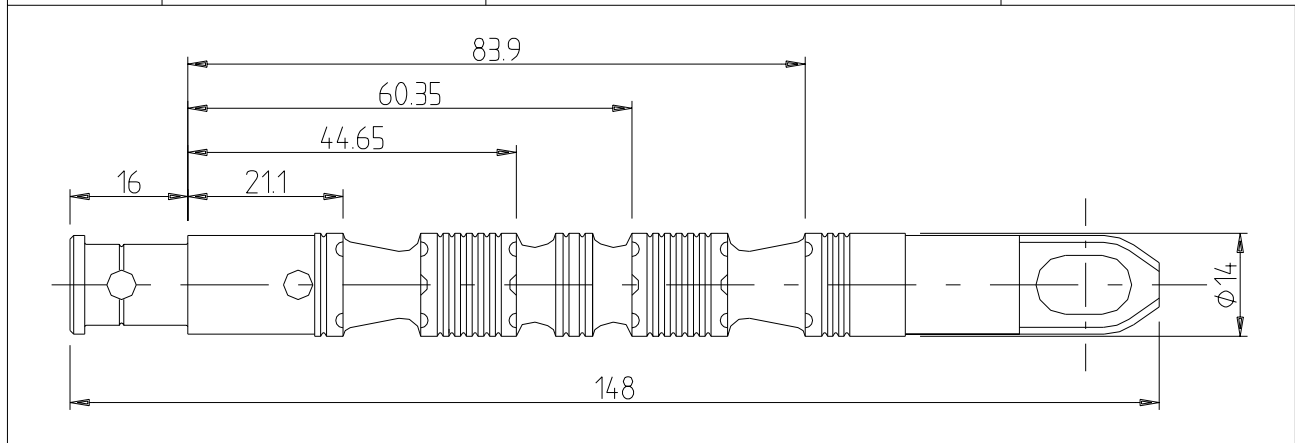
| Codice Code | Schema Scheme | N° Disegno Drawing no. |
|----------------|---|---------------------------|
| 101 |  | 06.010.29050 |

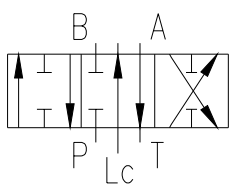


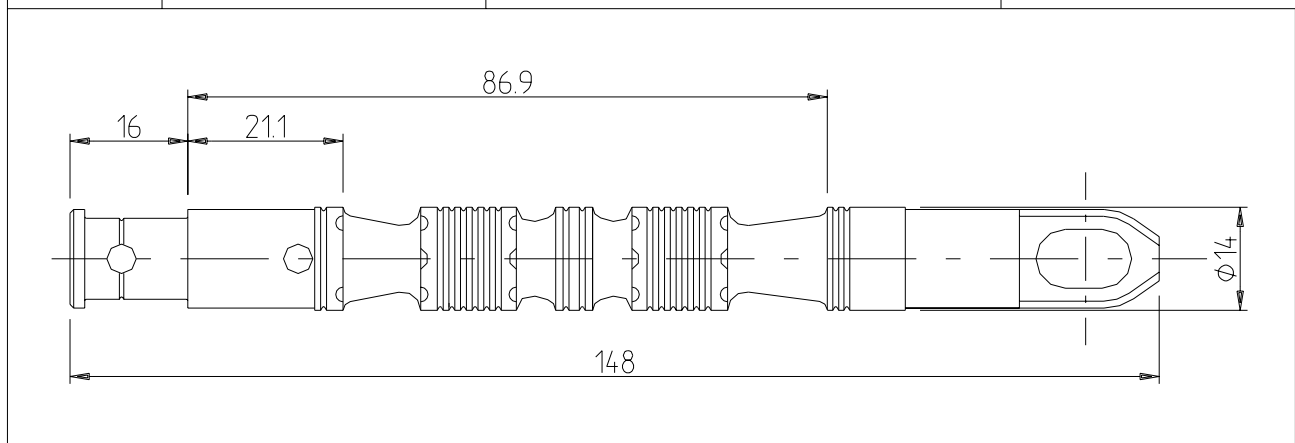
| Codice Code | Schema Scheme | N° Disegno Drawing no. |
|----------------|---|---------------------------|
| 102 |  | 06.010.28941 |

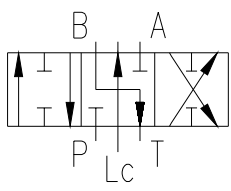


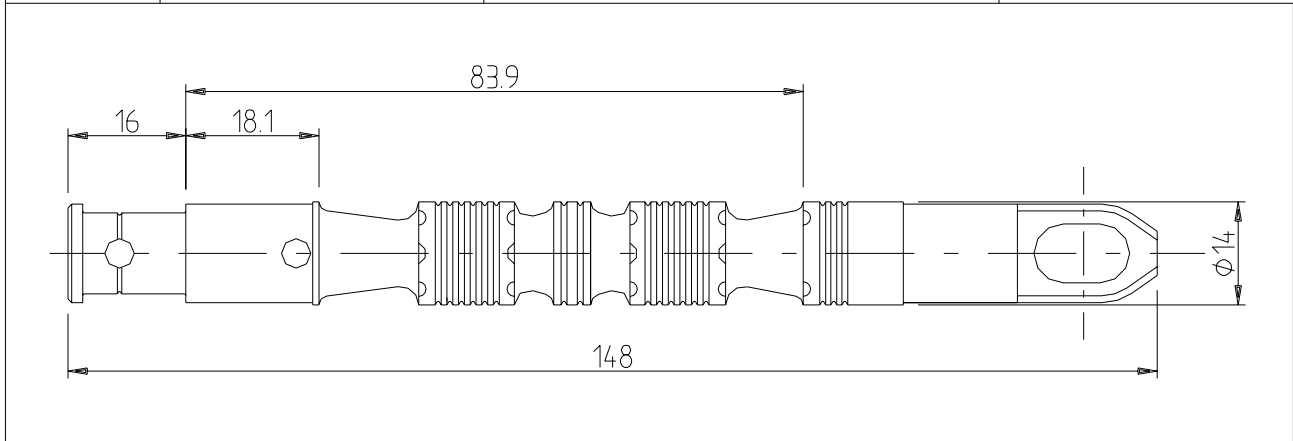
| Codice Code | Schema Scheme | N° Disegno Drawing no. |
|----------------|---|---------------------------|
| 103 |  | 06.010.28897 |

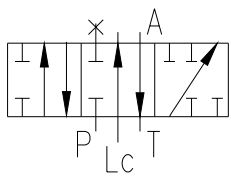


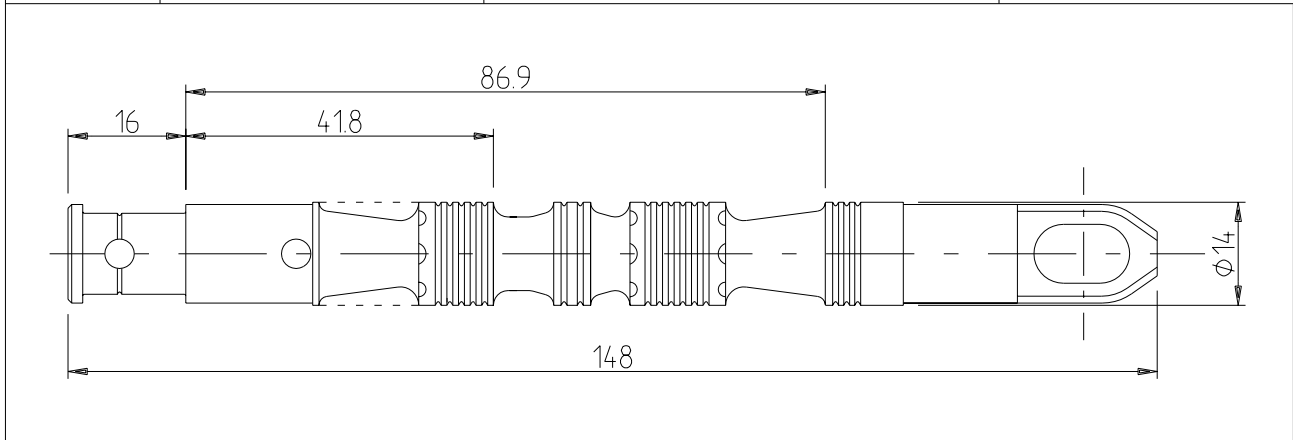
| Codice Code | Schema Scheme | N° Disegno Drawing no. |
|----------------|---|---------------------------|
| 107 |  | 06.010.29381 |



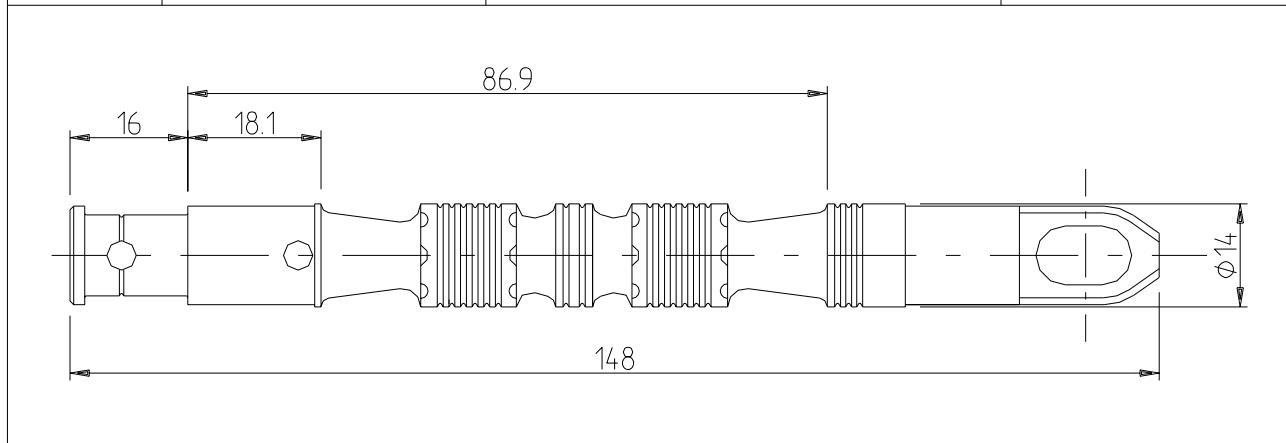
| Codice Code | Schema Scheme | N° Disegno Drawing no. |
|----------------|---|---------------------------|
| 108 |  | 06.010.29371 |



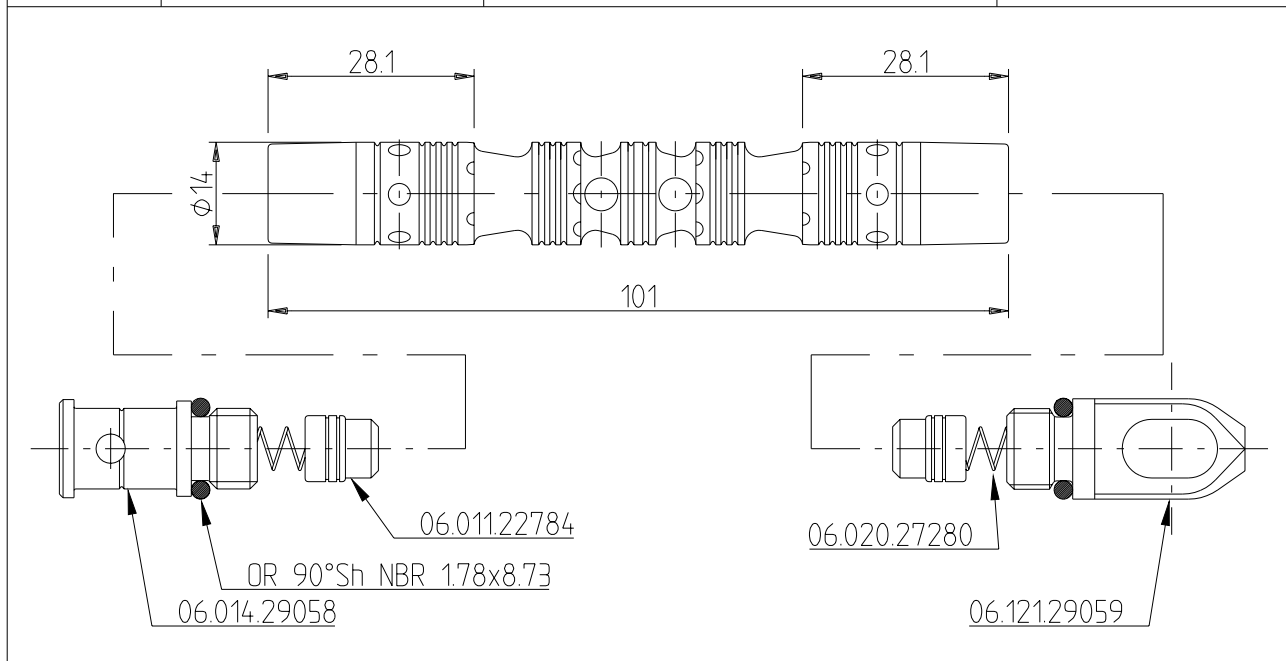
| Codice Code | Schema Scheme | N° Disegno Drawing no. |
|----------------|---|---------------------------|
| 109 |  | 06.010.29526 |

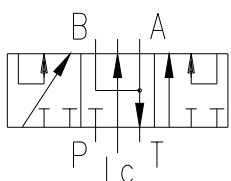


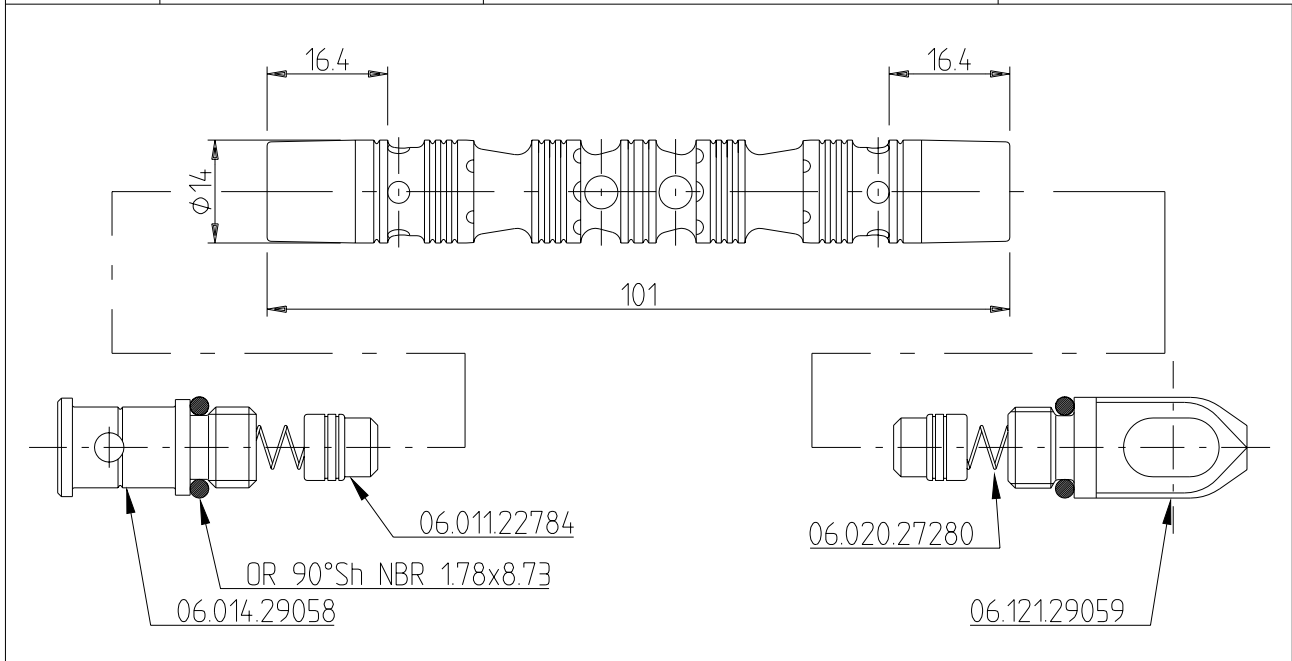
| Codice Code | Schema Scheme | N° Disegno Drawing no. |
|----------------|------------------|---------------------------|
| 111 | | 06.010.28942 |



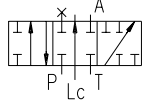
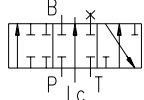
| Codice Code | Schema Scheme | N° Disegno Drawing no. |
|----------------|------------------|---------------------------|
| 403 | | 06.010.28957 |

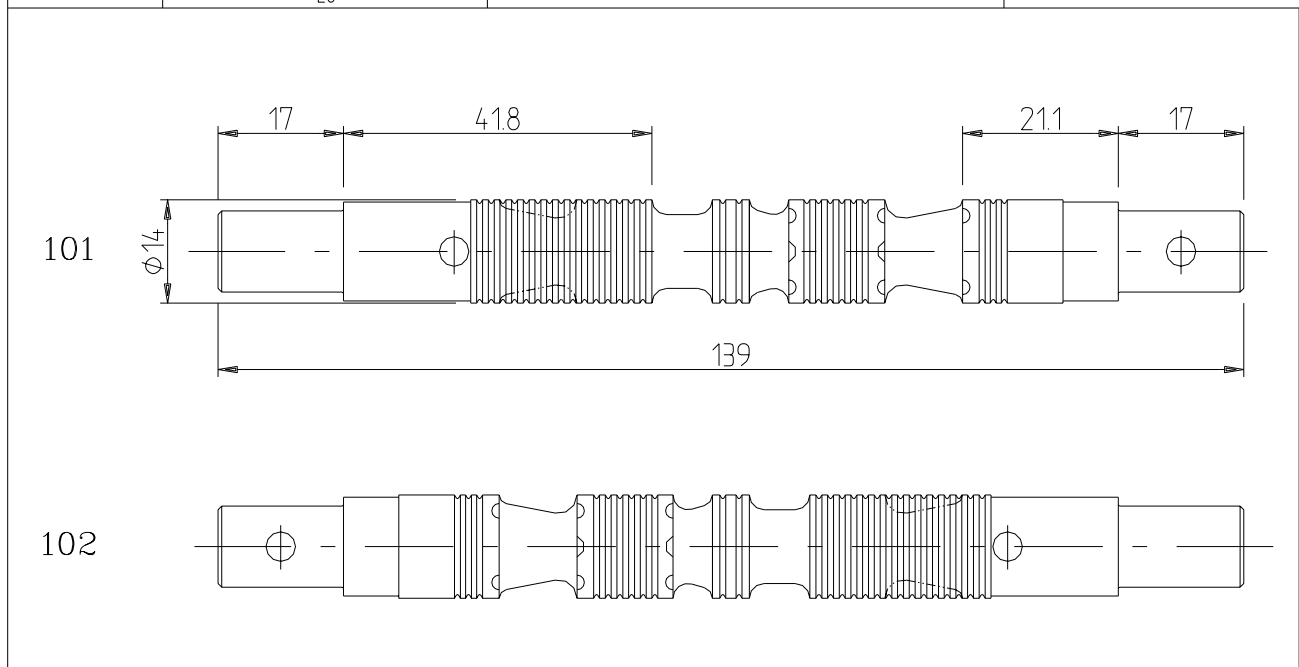


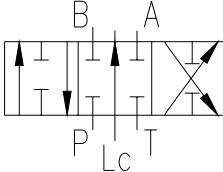
| Codice Code | Schema Scheme | N° Disegno Drawing no. |
|----------------|---|---------------------------|
| 411 |  | 06.010.29057 |

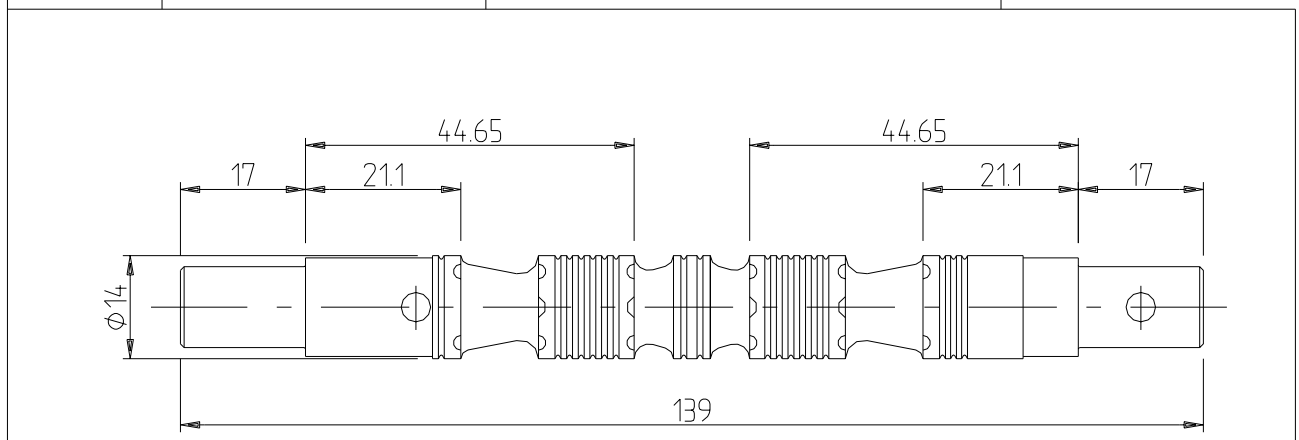


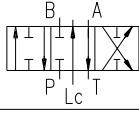
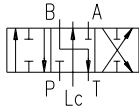
**Spools per distributori Q25 - Q30 - Q45 - Q50
con comando elettrico diretto D9**
*Spools for directional control valves Q25 - Q30 - Q45 - Q50
with D9 direct electrical control*

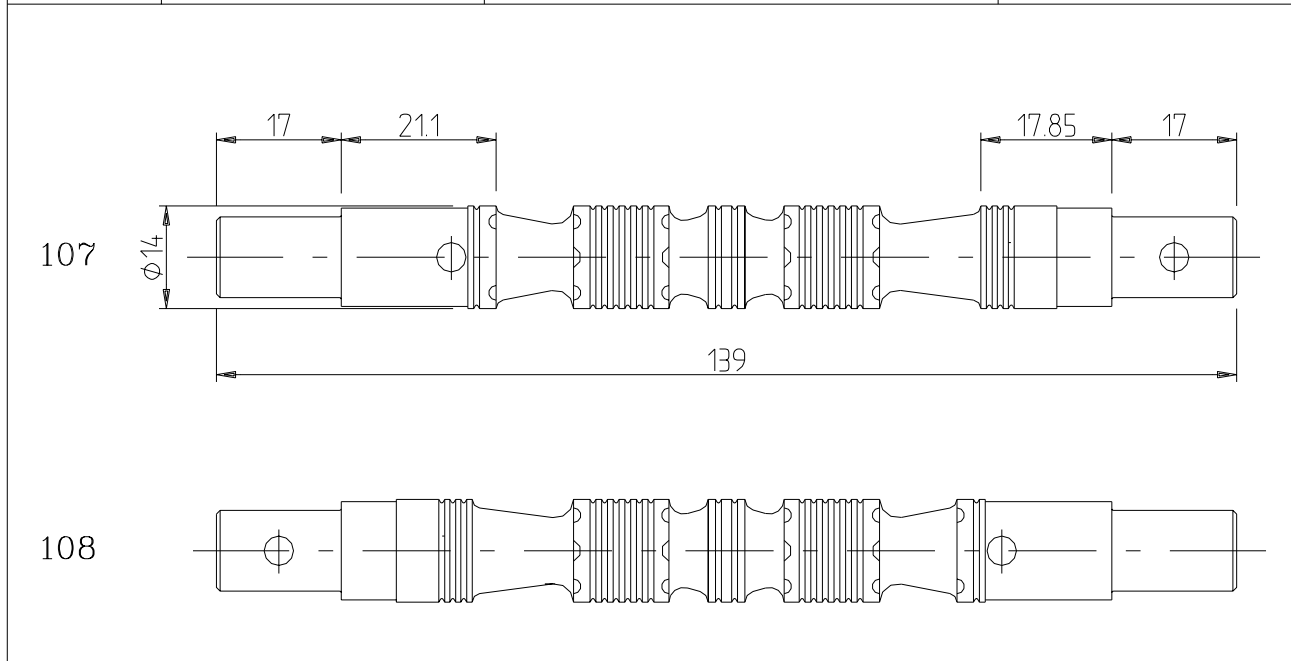
| Codice Code | Schema Scheme | N° Disegno Drawing no. |
|----------------|---|---------------------------|
| 101 |  | 06.010.30126 |
| 102 |  | |

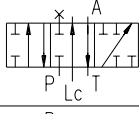
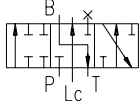


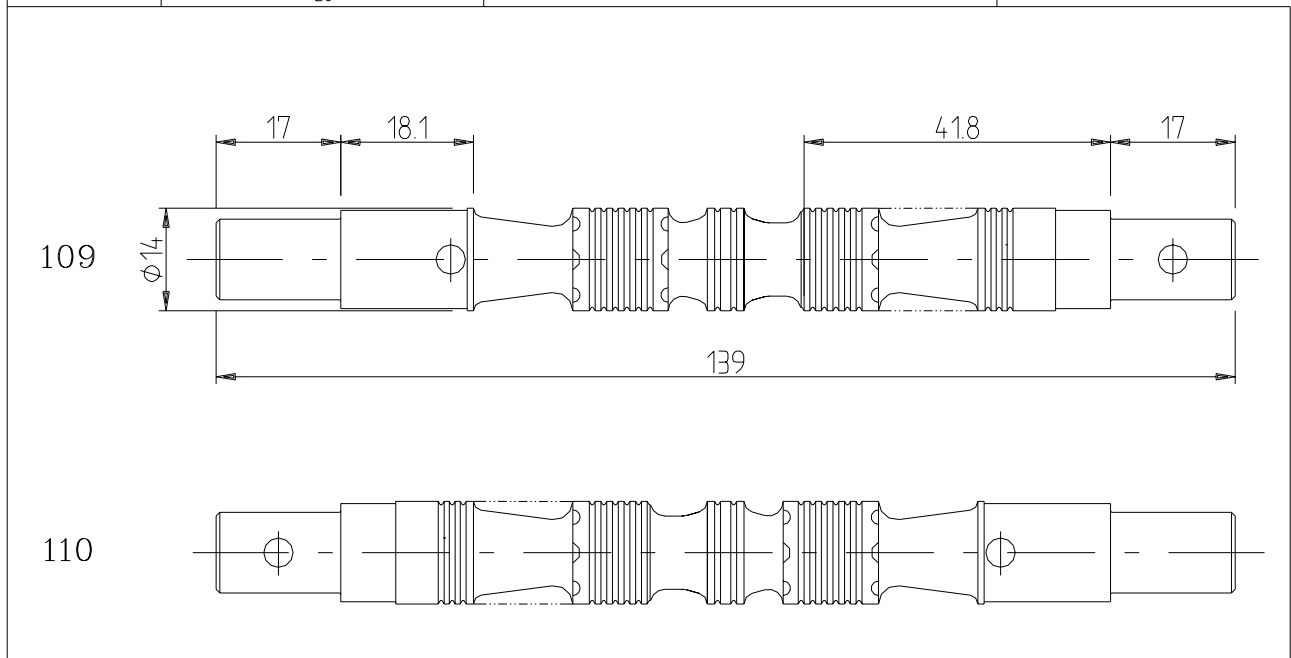
| Codice Code | Schema Scheme | N° Disegno Drawing no. |
|----------------|---|---------------------------|
| 103 |  | 06.010.29982 |

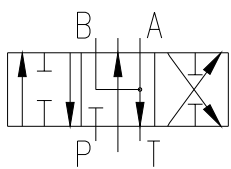


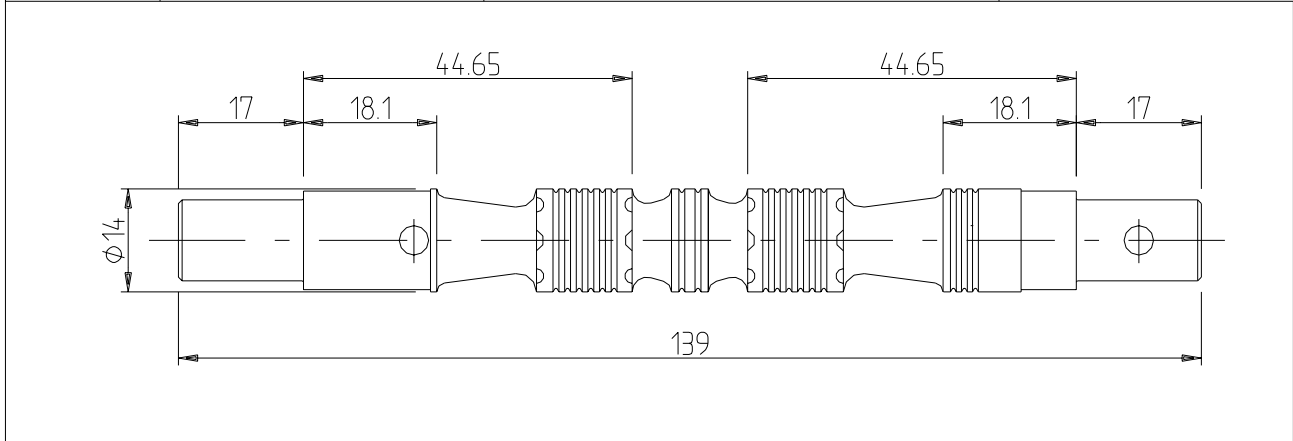
| Codice Code | Schema Scheme | N° Disegno Drawing no. |
|----------------|---|---------------------------|
| 107 |  | 06.010.30707 |
| 108 |  | |



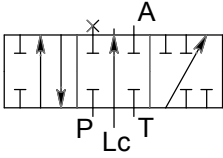
| Codice Code | Schema Scheme | N° Disegno Drawing no. |
|----------------|---|---------------------------|
| 109 |  | 06.010.30376 |
| 110 |  | |

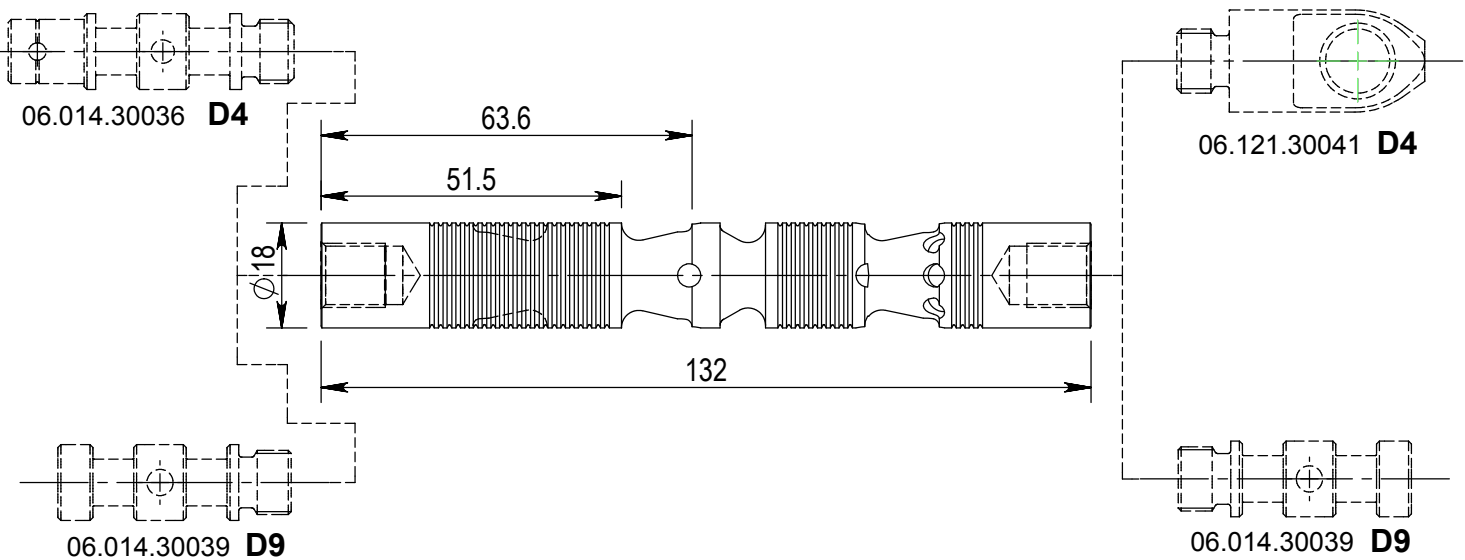


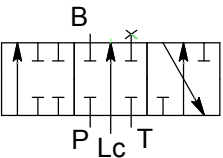
| Codice Code | Schema Scheme | N° Disegno Drawing no. |
|----------------|---|---------------------------|
| 111 |  | 06.010.30004 |

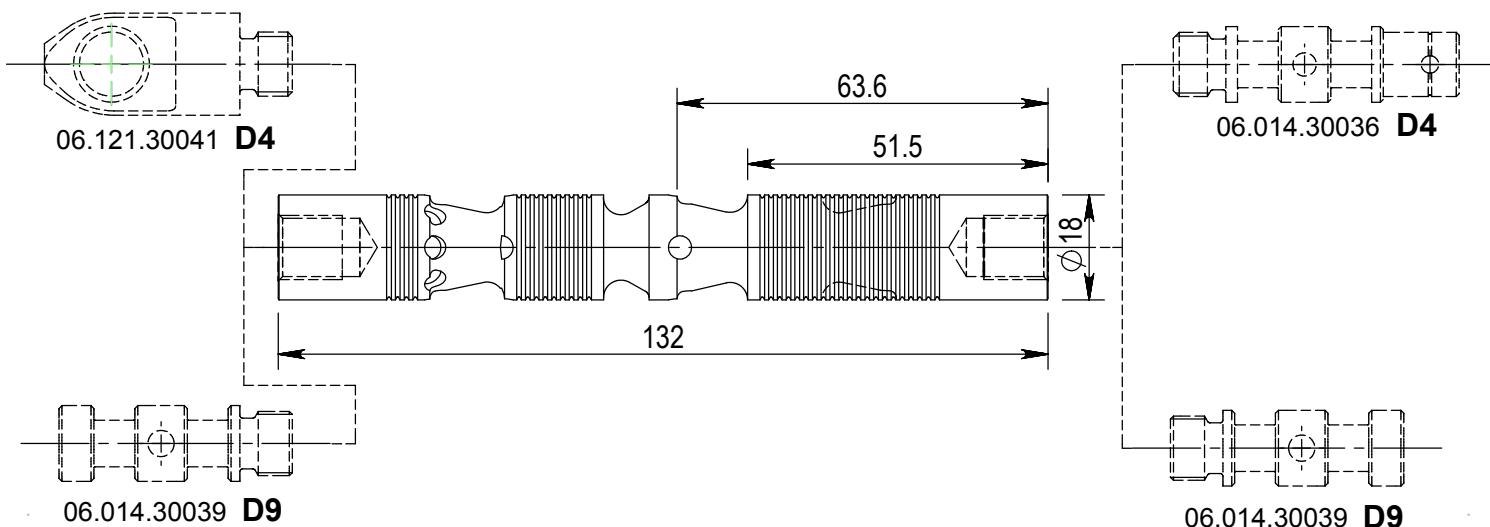


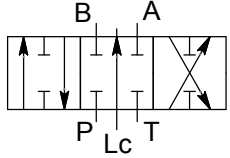
**Spools per distributori Q75 - Q80 - Q95
con comando elettrico diretto D4 - D9**
*Spools for directional control valves Q75 - Q80 - Q90
with D4 - D9 direct electrical control*

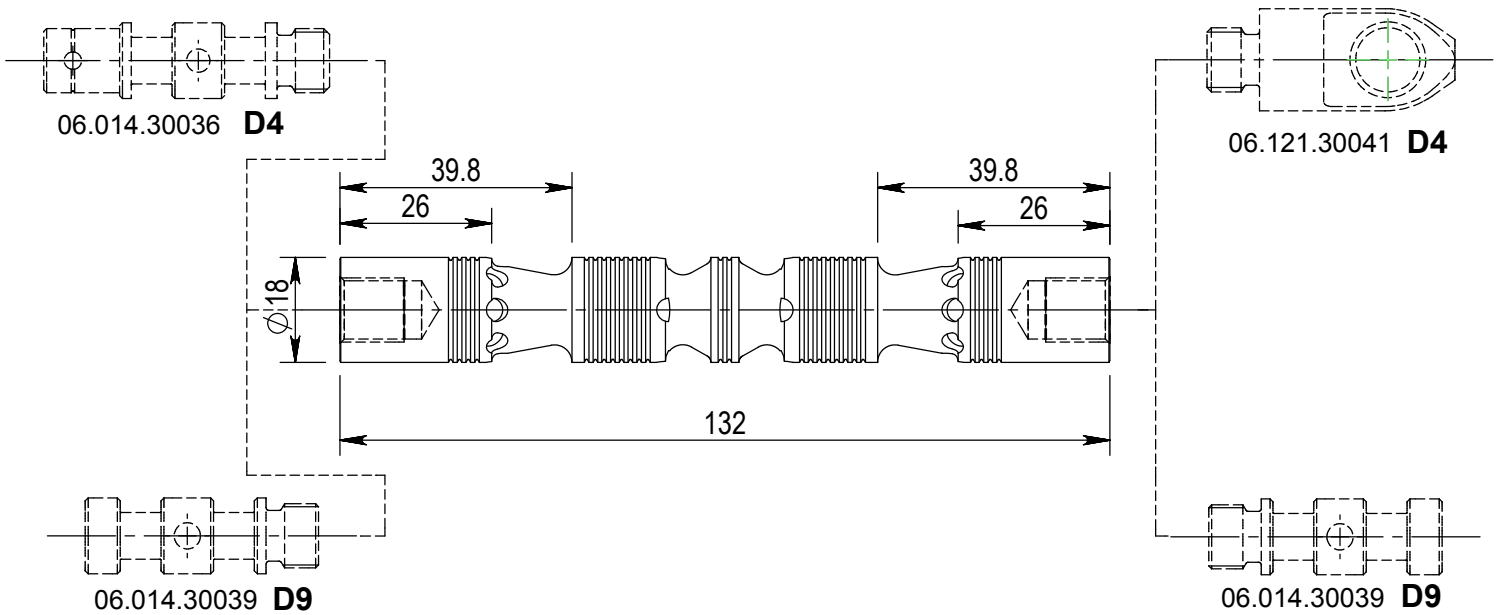
| Codice Code | Schema Scheme | N° Disegno Drawing no. |
|----------------|---|---------------------------|
| 101 |  | 06.010.30060 |

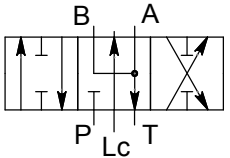


| Codice Code | Schema Scheme | N° Disegno Drawing no. |
|----------------|---|---------------------------|
| 102 |  | 06.010.30060 |



| Codice Code | Schema Scheme | N° Disegno Drawing no. |
|----------------|---|---------------------------|
| 103 |  | 06.010.30059 |



| Codice Code | Schema Scheme | N° Disegno Drawing no. |
|----------------|---|---------------------------|
| 111 |  | 06.010.30043 |

