



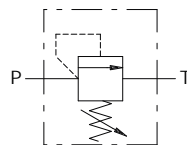
Type VMD150 pressure relief valves

- Differential acting

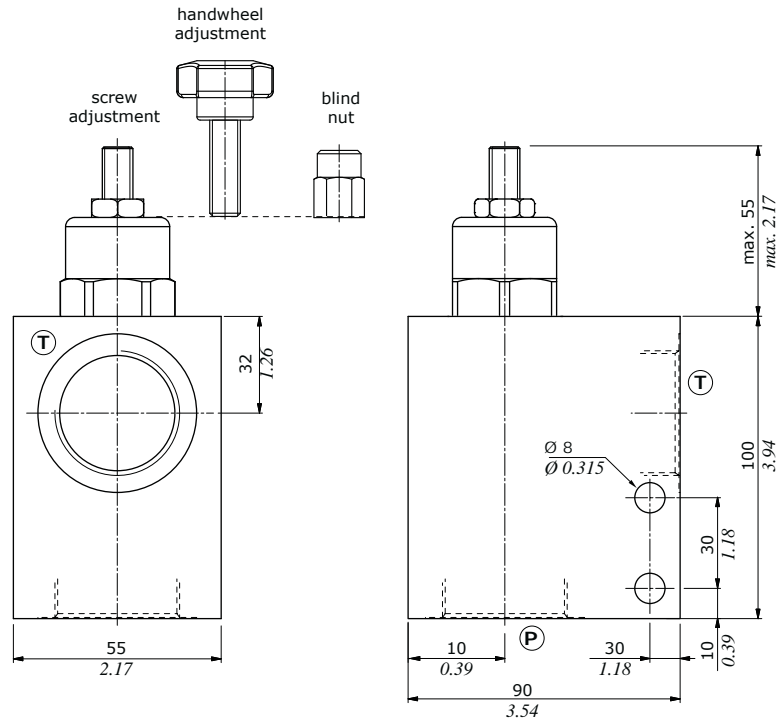
Technical specifications and diagrams are measured with mineral oil of 46 cSt viscosity at 40°C (104°F) temperature.

	VMD15005	VMD15006
Nominal flow	150 l/min (39.6 US gpm)	
Max. pressure	Aluminium body = 210 bar (3050 psi)	
Fluid	mineral based oil	
Viscosity	from 10 to 200 cSt	
Max. level of contamination	18/16/13 ISO4406	
Fluid temperature	with NBR seals from -20°C (-4°F) to 80°C (176°F)	
Environmental temperature for working conditions	from -40°C (-40°F) to 100°C (212°F)	
Weight	aluminium 1.49 kg (3.28 lb)	1.41 kg (3.11 lb)

NOTE - For different conditions, please contact Walvoil Sales Dpt.

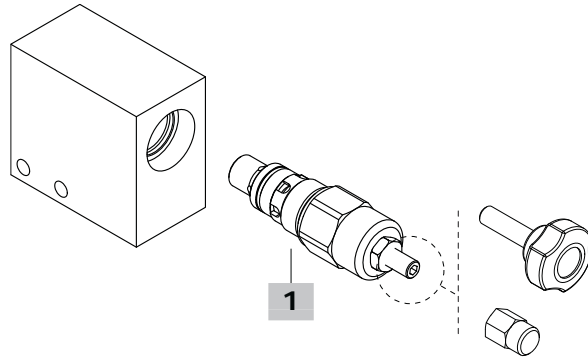
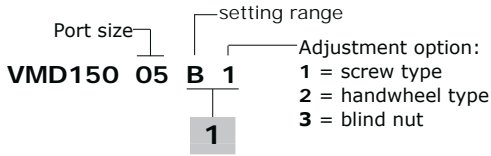


Dimensions



Valve type	All ports
VMD15005	G1"
VMD15006	G1"1/4

Ordering codes and description composition



VMD150 complete valves

Standard setting 250 bar @ 5 l/min (3600 psi @ 1.32 US gpm)

TYPE	CODE	DESCRIPTION
VMD15005B1	1121251100	Aluminium body, setting range 30-250 bar (435-3600 psi)

Configuration with G1 1/4 standard thread

VMD15006B1	1121261100	Aluminium body, setting range 30-250 bar (435-3600 psi)
------------	------------	---

For different configurations and SAE thread please contact our Sales Dpt.

1 Direct acting pressure relief valves

TYPE	CODE	DESCRIPTION
VMD150B1	1120250400	Screw adjustment, setting range 30-250 bar (435-3600 psi), std setting 100 bar @ 5 l/min (1450 psi @ 1.32 US gpm)

Rating diagrams

