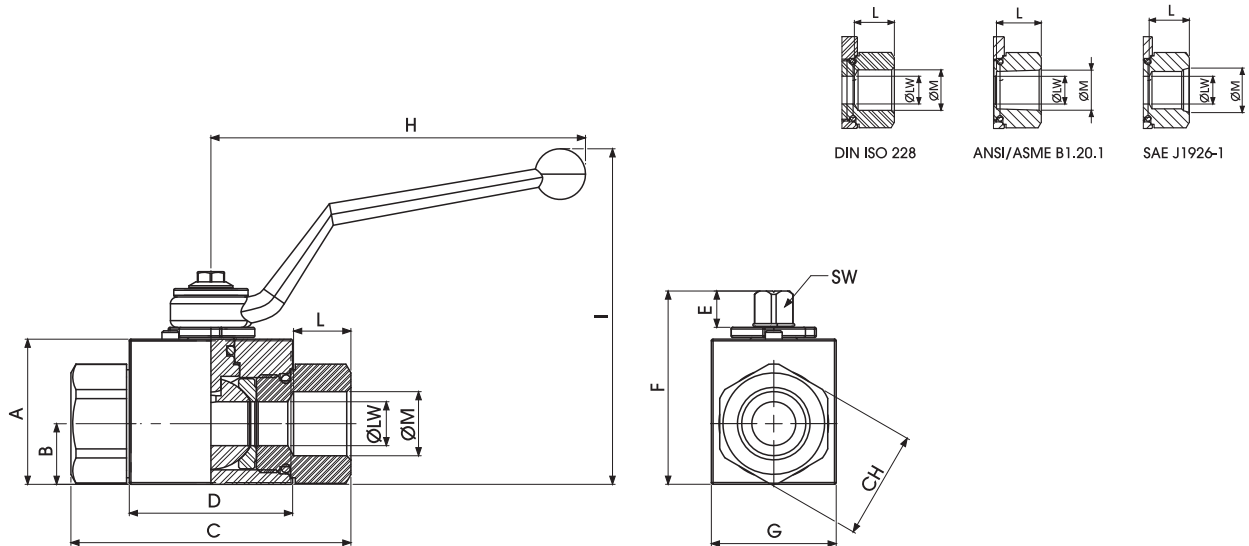


2-WAY HIGH PRESSURE BALL VALVES

Specialist in Ball Valves



GE2 DIN/ISO 228 BSP

Standard

																	CARBON STEEL	STAINLESS STEEL	
TYPE	PN	DN	A	B	C	D	E	F	G	H	I	L	ØM	CH	SW	ØLW	KG	ITEM CODE	ITEM CODE
G ^{1/8}	50 MPa	4	35	14,5	71	42,4	11	49	30	110	91,5	1	G ^{1/8}	24	9	4	0,512		
G ^{1/4}	50 MPa	6	35	14,5	71	42,4	11	49	30	110	91,5	15,5	G ^{1/4}	24	9	6	0,497		
G ^{3/8}	50 MPa	10	40	17,4	73	44,4	11	54,25	35	110	96,5	15,5	G ^{3/8}	30	9	10	0,652		
G ^{1/2}	50 MPa	13	43	18	83	48,4	11	57	37	110	99,5	17	G ^{1/2}	32	9	13	0,77		
G ^{3/4}	40 MPa	20	57	23,4	95	62,5	14	73,5	49	180	106,5	21	G ^{3/4}	41	14	20	1,46		
G1	35 MPa	25	65	29,5	112	66,5	14	83,5	55	180	116,5	24	G 1	50	14	25	2,2		
G 1 ^{1/4} R	35 MPa	25	65	29,5	120	66,5	14	83,5	55	180	116,5	24	G ^{1 1/4}	55	14	25	2,299		
G 1 ^{1/2} R	35 MPa	25	65	29,5	124	66,5	14	83,5	55	180	116,5	24	G ^{1 1/2}	60	14	25	2,413		

“Sealing

Ball seat material: POM

Adapter and stem seal material: NBR”

“The company reserves the right to operate dimensional changes without prior notice”.

2-WAY HIGH PRESSURE BALL VALVES



CARBON STEEL

- Type: ball valve 2 way
- Body: block
- Material: 1,0737
- Ball seats: from DN4 up to DN25
- O-Rings: NBR, FKM, EPDM, MVQ
- Operating pressure: 500 Bar depending on valve size and seal materials selected
- Temp range: -20°C to +100°C depending on seal material selected

		G 1/2		DN13		1	1	1	1	A	B			
Type and way of valve	GAS DIN/ISO 228 BSP	NPT ANSI/ASME B1.20.1	SAE J1926-1	DIN 2353 HEAVY SERIES	DIN 2353 LIGHT SERIES	Nominal dimension	Body material	Adapter material	Stem material	Ball material	Ball seat material	Adapter and stem seal material		
GE2-2-way	G 1/8	N 1/8	SAE4	8S	6L	DN4	1, 1,0737	1, 1,0737	1, 1,0737	1, 1,0737	A D	POM PEEK	B E	NBR FKM
	G 1/4	N 1/4	SAE6	10S	8L	DN6					G	PA612	F	EPDM
	G 3/8	N 3/8	SAE8	12S	10L	DN10					K	GEMPTFE	L	MVQ
	G 1/2	N 1/2	SAE12	14S	12L	DN13					C	PTFE		
	G 3/4	N 3/4	SAE16	16S	15L	DN20								
	G 1	N 1	SAE20R	20S	18L	DN25								
	G 1 1/4 R	N 1 1/4 R	SAE24R	25S	22L									
	G 1 1/2 R	N 1 1/2 R		30S	28L									
				38S	35L									
					42L									

STAINLESS STEEL

- Type: ball valve 2 way
- Body: block
- Material: 1,4404
- Ball seats: from DN4 up to DN25
- O-Rings: NBR, FKM, EPDM, MVQ
- Operating pressure: 500 Bar depending on valve size and seal materials selected
- Temp range: -60°C to +230°C depending on seal material selected

		G 1/2		DN13		4	4	4	4	A	B			
Type and way of valve	GAS DIN/ISO 228 BSP	NPT ANSI/ASME B1.20.1	SAE J1926-1	DIN 2353 HEAVY SERIES	DIN 2353 LIGHT SERIES	Nominal dimension	Body material	Adapter material	Stem material	Ball material	Ball seat material	Adapter and stem seal material		
GE2-2-way	G 1/8	N 1/8	SAE4	8S	6L	DN4	4, 1,4404	4, 1,4404	4, 1,4404	4, 1,4404	A D	POM PEEK	B E	NBR FKM
	G 1/4	N 1/4	SAE6	10S	8L	DN6					G	PA612	F	EPDM
	G 3/8	N 3/8	SAE8	12S	10L	DN10					K	GEMPTFE	L	MVQ
	G 1/2	N 1/2	SAE12	14S	12L	DN13					C	PTFE		
	G 3/4	N 3/4	SAE16	16S	15L	DN20								
	G 1	N 1	SAE20R	20S	18L	DN25								
	G 1 1/4 R	N 1 1/4 R	SAE24R	25S	22L									
	G 1 1/2 R	N 1 1/2 R		30S	28L									
				38S	35L									
					42L									

"The company reserves the right to operate dimensional changes without prior notice".

Este documento é uma reprodução do original