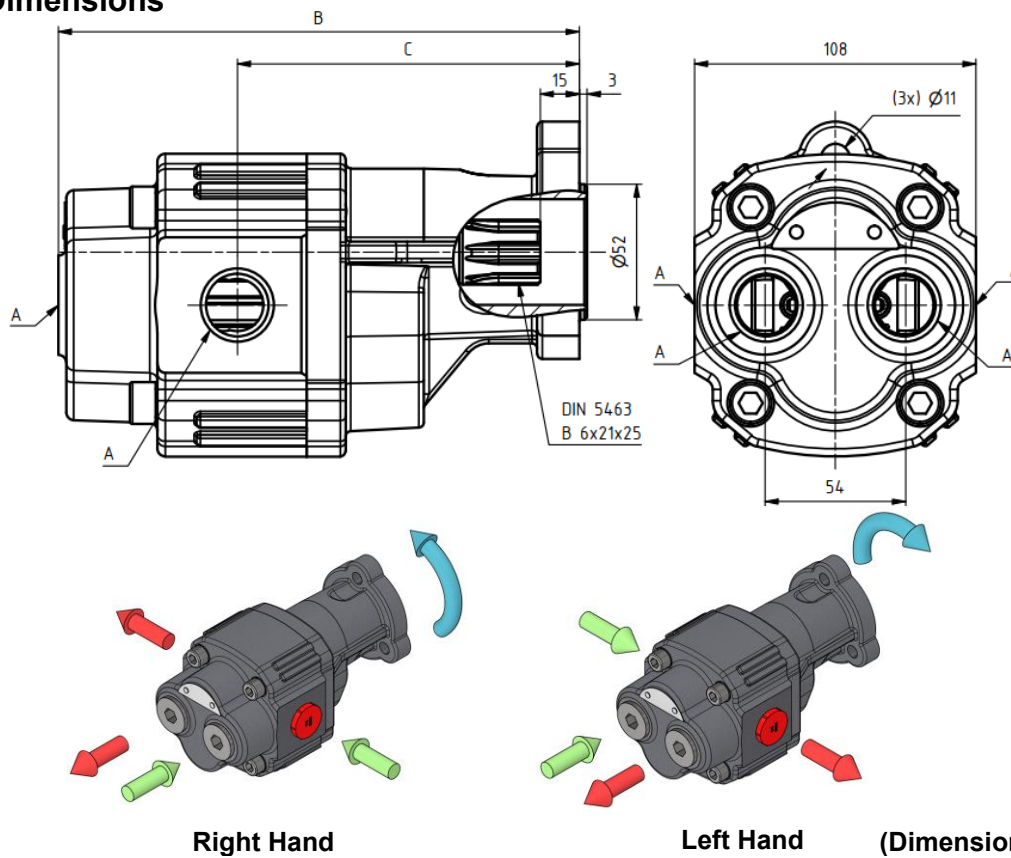




Main Dimensions



(Dimensions in mm)

Main Data

Pumps B23GT		13	17	23	33
Displacement	cm <sup>3</sup> /rev	13,4	17,2	23,4	32,7
Max. rotation speed	rpm	2000	2000	2000	2000
Min. rotation speed	rpm	500	500	500	500
Max. continuous pressure	bar	280	280	250	240
Max. intermittent pressure (max. 20s)	bar	300	300	270	260
Max. peak pressure (max. 6s)	bar	315	315	285	275
Weight	kg	7,6	8,9	8,3	7,9
Sense of rotation		Bi-directional			
A - Inlet /Outlet (DIN ISO 228)	G (BSP)	1/2"		3/4"	
Seal Kit		SKB2GT			
B	mm	179,4	183,4	187,2	197,2
C	mm	128,3	132,3	132,3	131,2

How to order:

Example: Pump 23cm<sup>3</sup>/rev, continuous pressure up to 250 bar; peak pressure up to 285 bar, ref. B23GT23 → B23GT23

Fluids	mineral oils type ISO HM or DIN 51524-2 HLP
Operating viscosity range	10 to 100 cSt (mm <sup>2</sup> /s) at working temperature
Máx operating limits viscosity	750 cSt
Oil temperature range	-25°C to 80°C
Filtration	>200bar = 10µm <200bar = 25 µm

In the application of any of these pumps; the use of these data does not exempt the reading of the instruction "Gear pumps recommendations before start-up".

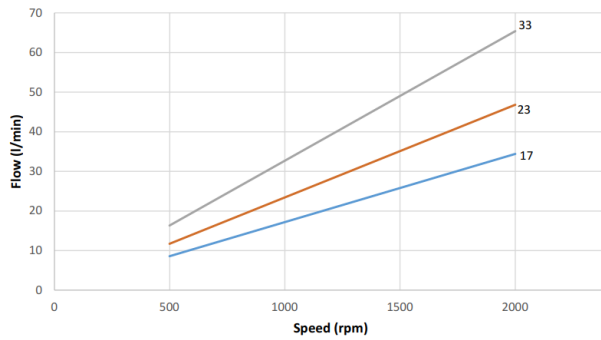
ABER is constantly engaged in improving its products and, therefore, reserves itself the right to modify without any further notice the characteristics shown

ABER HYDRAULICS S.A.

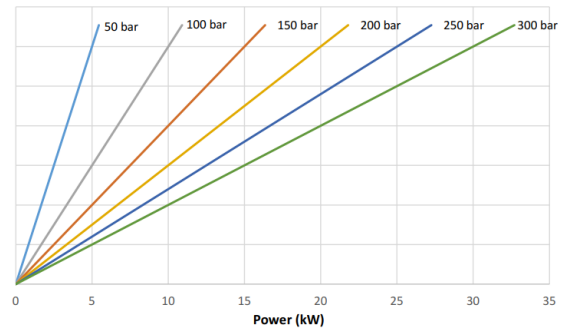
Rua Francisco de Almeida, Nº 30 – Vila Nova da Telha – 4470-410 Maia - Portugal  
 Phone: +351.22.9438070 | E-mail: [aber@aber.pt](mailto:aber@aber.pt) | <http://www.aber.pt>



**Diagram  
Flow - Speed**



**Diagram  
Input Power - Flow – Pressure**



**Hose dimensions**

Inlet Hose	
Flow (l/min)	Internal pipe diameter (inch)
30-40	1"1/4
50-60	1"1/2
70-90	1"3/4

Outlet Hose					
Flow (l/min)	Internal pipe diameter (inch)				
	30	1/2"	1/2"	1/2"	1/2"
40	5/8"	1/2"	1/2"	1/2"	
50	5/8"	5/8"	5/8"	1/2"	
60	3/4"	5/8"	5/8"	5/8"	
70	1"	3/4"	3/4"	5/8"	
80	1"	3/4"	3/4"	3/4"	
90	1"	1"	1"	3/4"	
		50-100	100-150	150-200	200-300
<b>P (bar)</b>					

CTI B23GT 2601 - 02

ABER is constantly engaged in improving its products and, therefore, reserves itself the right to modify without any further notice the characteristics shown

**ABER HYDRAULICS S.A.**

Rua Francisco de Almeida, Nº 30 – Vila Nova da Telha – 4470-410 Maia - Portugal  
 Phone: +351.22.9438070 | E-mail: [aber@aber.pt](mailto:aber@aber.pt) | <http://www.aber.pt>