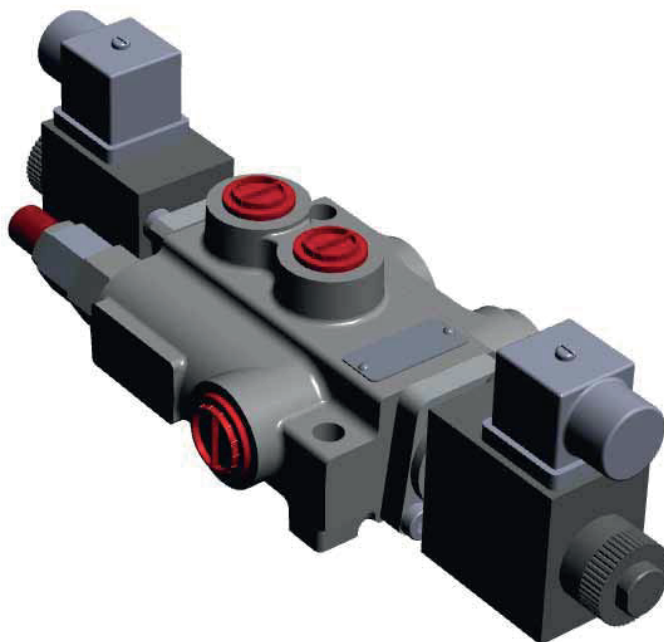


## DIRECTIONAL CONTROL VALVES

### Z50 MONOBLOCK VALVES – SOLENOID CONTROL



#### Technical parameters:

Nominal flow	50 l/min
Max operating pressure, P=250; T=10 bar	A , B = 300 bar
Leakage (A,B>T)	15 cm <sup>3</sup> /min at 120 bar
Hydraulic liquid	Mineral base oil
Viscosity	12...800 mm <sup>2</sup> /s
Fluid temperature	-20C to 80C
Ambient temperature	-40C...+60C
Spool stroke	6 mm
Actuating force	<220 N

**DESCRIPTION:** The monoblock directional control valves-solenoid operated, offer perfect choice whether you are designing a new system or just simply trying to get more out of your current system. With two special spools and 7 different monoblock housings these valves can meet the specific needs of your application and hydraulic schemes by their double acting in 3 positions A and D spools.

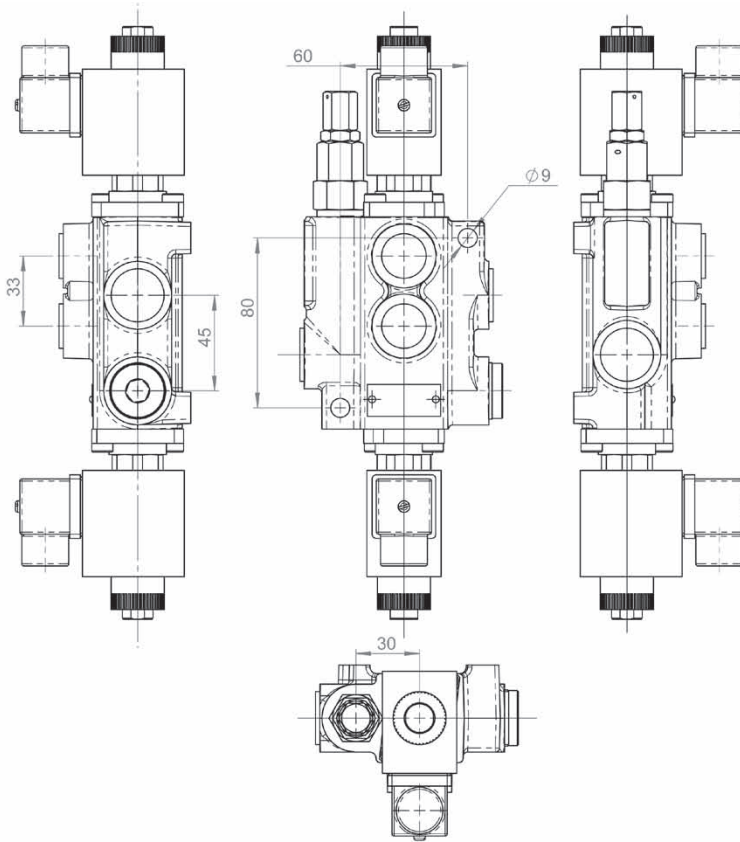
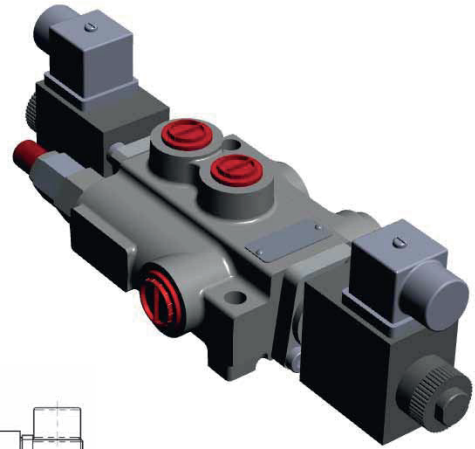
**CONSTRUCTION:** Precise bore honing and spool grinding results in less cross-port leakage and less wasted energy. These precise valves also allow for interchangeable spools for easy on place maintenance.

**MOUNTING:** The mounting is the same as standard monoblock valves using bolts M8 or complete line of stud kits.

Solenoid direct control with spring return to neutral position.  
Needs special spools and special body Z50.

#### ORDERING EXAMPLE

Z50 A ES3 12VDC G  
 1      2      3      4      5



#### 1.Body kit

Type	Description
Z50	1 spool
02Z50	2 spool
03Z50	3 spool
04Z50	4 spool
05Z50	5 spool
06Z50	6 spool

#### 2.Spool options / Spol seçenekleri

Type/Tipi	Description / Tanımı
A	Double acting, 3 positions with A and B closed in neutral position
D	Double acting, 3 positions with A and B open to Tank in neutral position

#### 3.Control kit

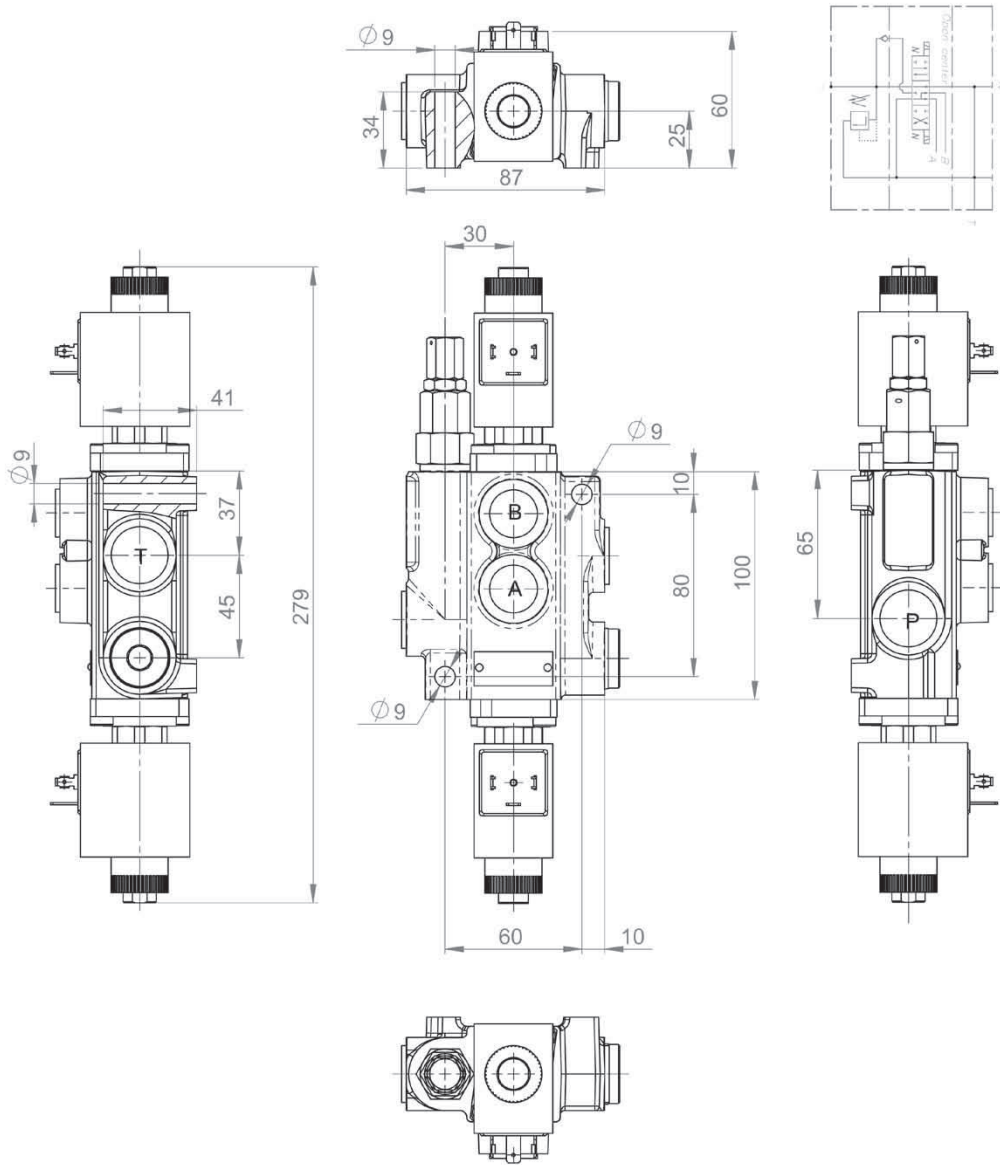
Type	Description
Es1	Single acting P-A with spring return in neutral position
Es2	Single acting P-B with spring return in neutral position
Es3	Double acting P-(B) with spring return in neutral position

#### 4.Coils

Type / Tipi	Description / Tanımı
(with connector ISO 4400)	
12VDC	Nominal voltage 12VDC
24VDC	Nominal voltage 24VDC

#### 5.Threads

G	P.T - G1/2; A,B - G3/8
---	------------------------



**Operating features**

**Control**

Internal leakage A(B)-T  
 (p=100 bar Viscosity 35 cST : max 18 cc/min)

**Coil**

Nominal voltage tolerance.....±10%  
 power rating.....37 W  
 Coil insulation.....class H  
 Duty cycle .....100%  
 Connector ISO 4400  
 Emergency manual override