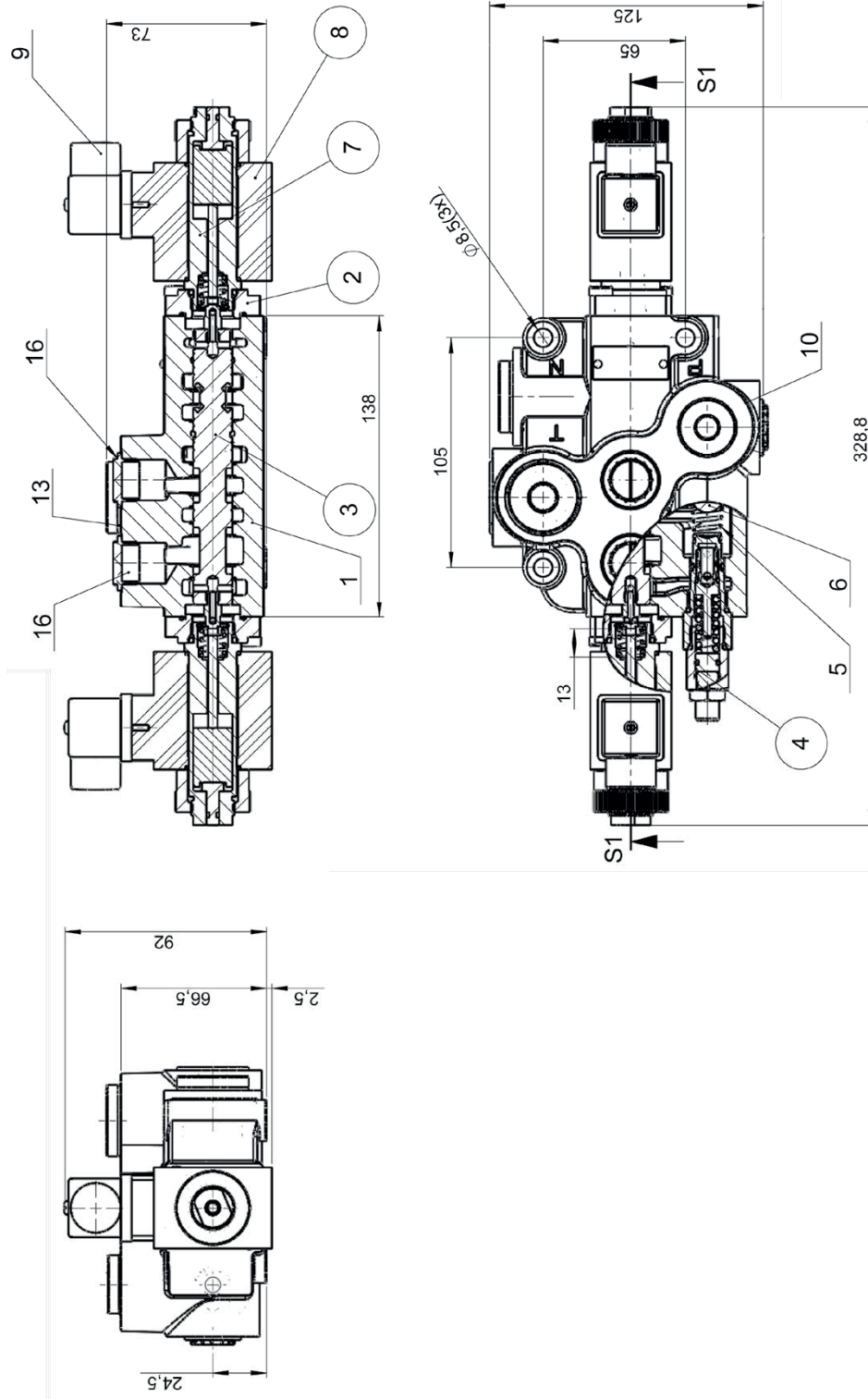


Technical parameters:

Nominal flow	80 l/min
Max operating pressure, P=250; T=10 bar	A , B = 300 bar
Leakage (A,B>T)	18 cm ³ /min at 120 bar
Hydraulic liquid Mineral base oil Viscosity	20...800 mm ² /s
Fluid temperature	-20C to 80C
Ambient temperature	-40C...+60C
Spool stroke	6 mm
Actuating force	<220 N

DESCRIPTION: The directional mono block valve Z80 is a valve with specially machined body. The throttle channels are realized at the spool's surface. The design of the valve is implemented for applications which need precise and lightly distribution of hydraulic fluid. The construction guarantee precise metering diagram.



Part	P1	P2	A	B	T1	T2	N
	G1/2	G1/2	G1/2	G1/2	G3/4	G3/4	G3/4
-02	7/8 SAE	7/8 SAE	7/8 SAE	7/8 SAE	1"1/16 SAE	1"1/16 SAE	1"1/16 SAE
-03	1/2 NPT	1/2 NPT	1/2 NPT	1/2 NPT	3/4 NPT	3/4 NPT	3/4 NPT
-04	M22x1,5	M22x1,5	M22x1,5	M22x1,5	M26x1,5	M26x1,5	M26x1,5

CONTROL

Internal leakage A(B) T
(P=120 bar, viscosity = 32 mm ² /s : max. 40 l/m)
Fluid temperature - 20° C (short time).....80 °C
Max. back pressure on outlet port T – 25 bar (360 psi)

COIL

Nominal voltage tolerance ± 10%
Power rating 37 W
Coil insurance class H
Duty cycle 100%
Connector ISO 4400
Emergency manual override

BODY KIT

Type	Description
01Z80	1 spool
02Z80	2 spool
03Z80	3 spool
04Z80	4 spool
05Z80	5 spool
06Z80	6 spool



SPOOL OPTIONS

Type	Description
A	Double acting, 3 positions with A and B closed in neutral position
B	Double acting, 3 positions with A and B open to tank in neutral position

CONTROL KIT

Type	Description
ES1	Single acting P – A with spring return in neutral position
ES2	Single acting P – B with spring return in neutral position
ES3	Double acting P – A (B) with spring return in neutral position

COIL (with connector ISO 4400)

Type	Description
12 VDC	Nominal voltage 12 VDC
24 VDC	Nominal voltage 24 VDC

THREADS

G	P, A, B – G1/2; T – G3/4
---	--------------------------