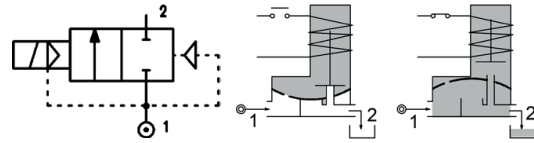


Solenoid valve 2 way normally closed with servo-assisted diaphragm.
 With explosion proof coil certified for hazardous area:
ATEX II 2GD Ex d IIC T6 or T5 or T4 Gb IP66
Ex tb IIIC T85°C or T100°C or T135°C Db IP66
CESI 03 ATEX 344/02
Tamb -40°C ÷ +35°C(T6) or +50°C(T5) or +60°C(T4)
 (other certifications e.g.. EAC, IN METRO, CCOE etc. on request)

COMERCIALIZADO POR:



VALVE CONSTRUCTION

BODY	Brass
SEAL MATERIAL	FPM - NBR

EXPLOSION PROOF COIL CONSTRUCTION

HOUSING	Red colour alloy (painted with epoxy powder)
ELECTRICAL CONNECTION	1/2" NPT (M20x1.5 on request)

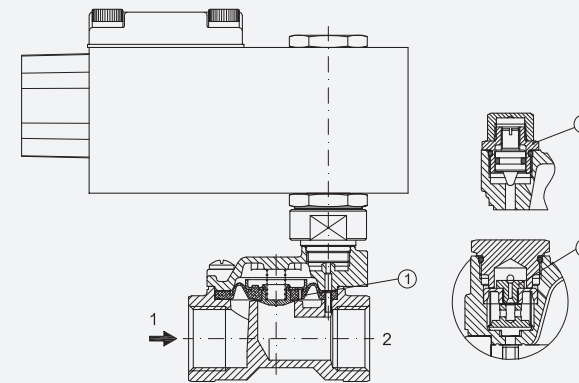
FEATURES

Minimum differential pressure 0.15bar
Maximum allowable pressure PS 25bar@
Maximum fluid viscosity 25cSt (mm2/s)
Ambient temperature: -40°C ÷ +35°C(T6), +50°C(T5), +60°C(T4)
Mounting position with vertical coil above

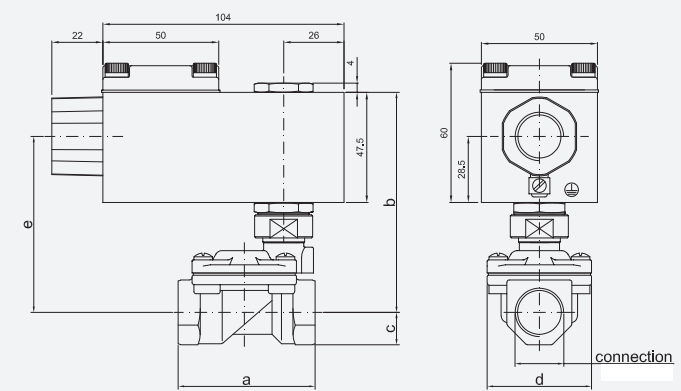
②	CONNECTION G ISO 228	ORIFICE [mm]	KV m3/h	DIFFERENTIAL PRESSURE [bar]		NOMINAL POWER		COIL SERIES	SEAL	TEMP. RANGE [°C]	
				MIN.	MAX.	AC	DC				
											AC
	1/4"	10	1.5	0.15	15	15	12 VA	8W	A6	NBR=B EPDM=E FPM=V	-10 +80
	3/8"	10	1.7	0.15	15	15					
	3/8"	12	2.2	0.15	15	15					
	1/2"	12	2.5	0.15	15	15					
	3/4"	18	5.5	0.15	13	13					
	1"	25	10.2	0.15	10	10					
	1 1/4"	30	15	0.15	10	10					
	1 1/4"	37	18	0.15	10	10					
	1 1/2"	37	21	0.15	10	10					
	2"	50	36	0.15	10	10	NBR=B	-10 +80			
	2 1/2"	75	75	0.3	5	5					
	3"	75	84	0.3	5	5					

② Coil
 ③ G2 1/2 e G3" SOLENOID VALVES
 For applications with fluids listed in chapter 3 / group 1 of the PED Directive 2014/68 / EU (potentially hazardous or explosive fluids / mixtures) consider a PS value reduced to 15 bar max.

SPARE PARTS LIST



OVERALL DIMENSION



OPTIONS

Electroless nickel plating
Versions with slow closing diaphragm

COILS ②	ALTERNATING CURRENT 50/60 HZ (V)				DIRECT CURRENT (V)			ELECTRICAL CONNECTION
	24	48	110	220 230	12	24	48	
Series A6	A6B	A6C	A6D	A6E	A60	A61	A62	1/2" NPT

DESCRIPTION
 Voltage tolerance
 AC +15% -10%
 DC ± 10%
 Protection class IP66
 Continuous service ED100%