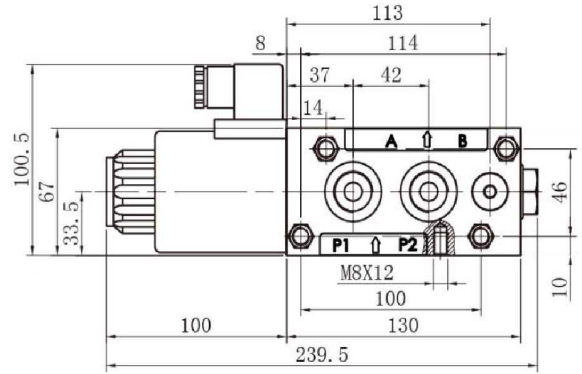
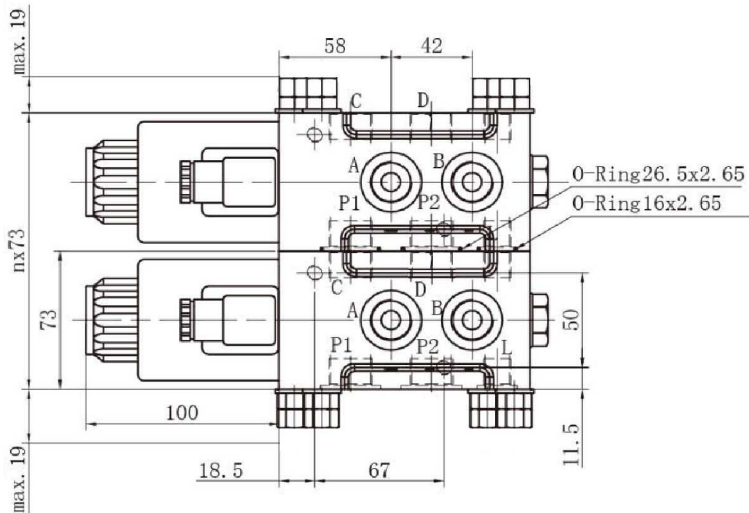
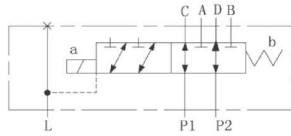


Directional Control Valves

Directional control valves 1/2 DC

Stackable directional control valves, 6 ways, 1/2 DC



Material: Body is molten made

Torque to tight the nucleus: 22-24 Nm

Assembly torque: 20 Nm

Part n°	R1	N° ways	Voltage (V)	Max. flow (l/min)	Max. Press. (bar)	N° of elements	Ø nucleus
	1/2" BSP	6	12VDC	80	250	1	31
	1/2" BSP	8	12VDC	80	250	2	31
	1/2" BSP	10	12VDC	80	250	3	31
	1/2" BSP	12	12VDC	80	250	4	31
	1/2" BSP	14	12VDC	80	250	5	31
	1/2" BSP	16	12VDC	80	250	6	31
	1/2" BSP	6	24VDC	80	250	1	31
	1/2" BSP	8	24VDC	80	250	2	31
	1/2" BSP	10	24VDC	80	250	3	31
	1/2" BSP	12	24VDC	80	250	4	31
	1/2" BSP	14	24VDC	80	250	5	31
	1/2" BSP	16	24VDC	80	250	6	31 mm