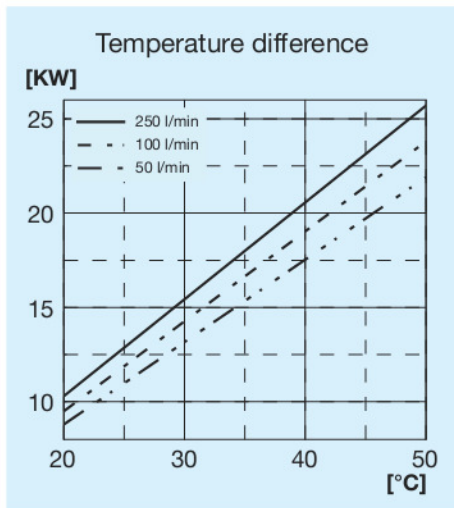
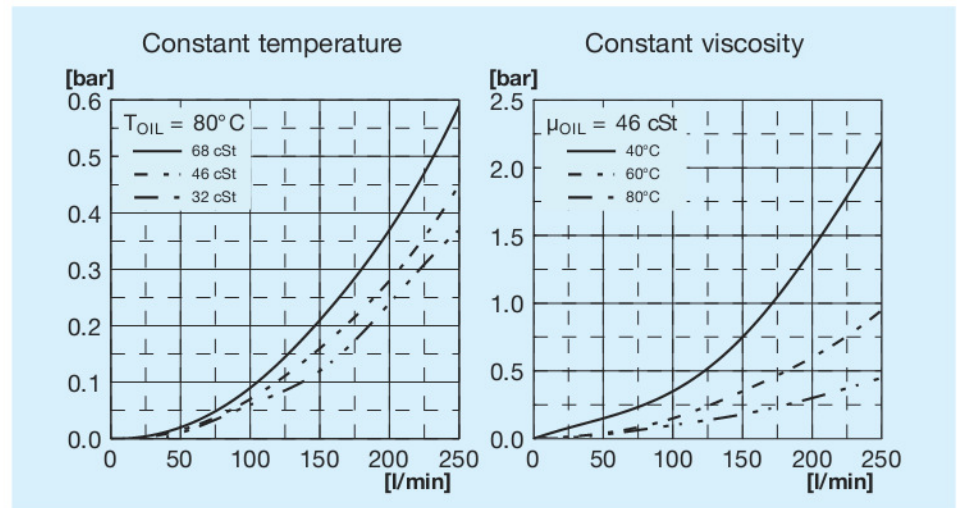


Code	Description	Ø Fan mm	Air flow rate m³/h	Voltage V	Current A	L Max mm	H mm	Weight Kg	Capacity l
FR633120013	A65 1EAX 24V	385	3070	24	10	240	556.5	20	8.5

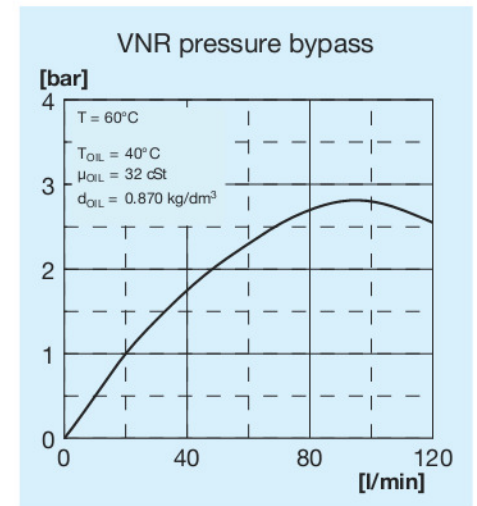
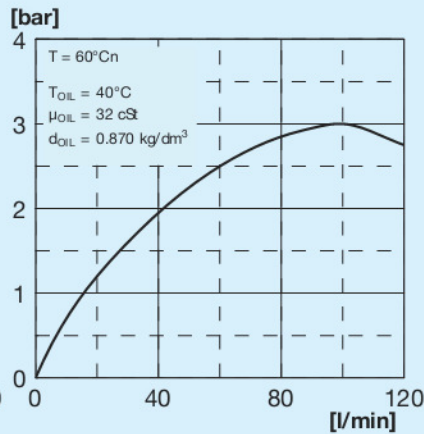
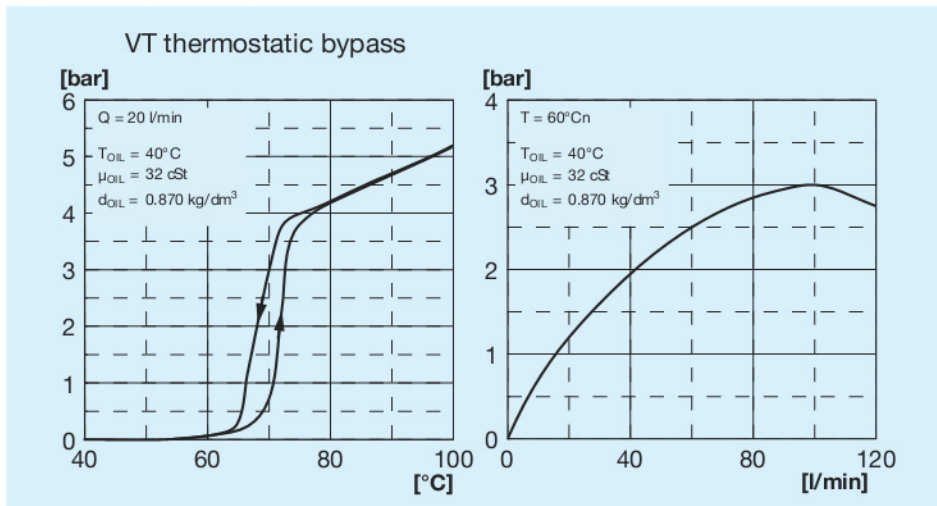
## Heat exchange (thermal) capacity



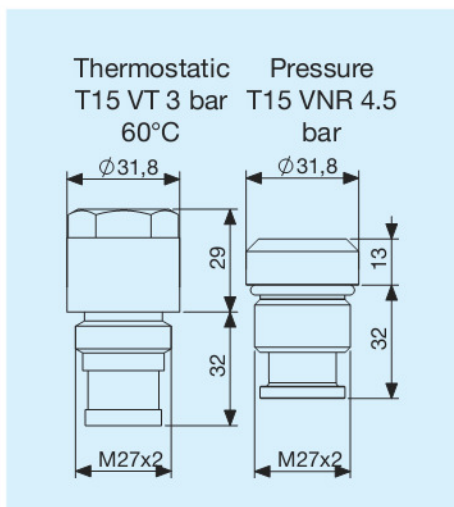
## Radiator passage pressure drop



## Bypass passage load loss



## Bypass valves



## Legend

A65	Exchanger type
1E	1 Fan unit
A	Aspirating
S	Blowing
AP	High power aspirating
SP	High power blower
AX	Extra high power aspirating
SX	Extra high power blower
12V	Fan unit voltage
24V	Fan unit voltage
T15 VT	Thermostatic bypass valve 3 bar 60°C
T15 VNR	Pressure bypass valve at 4.5 bar