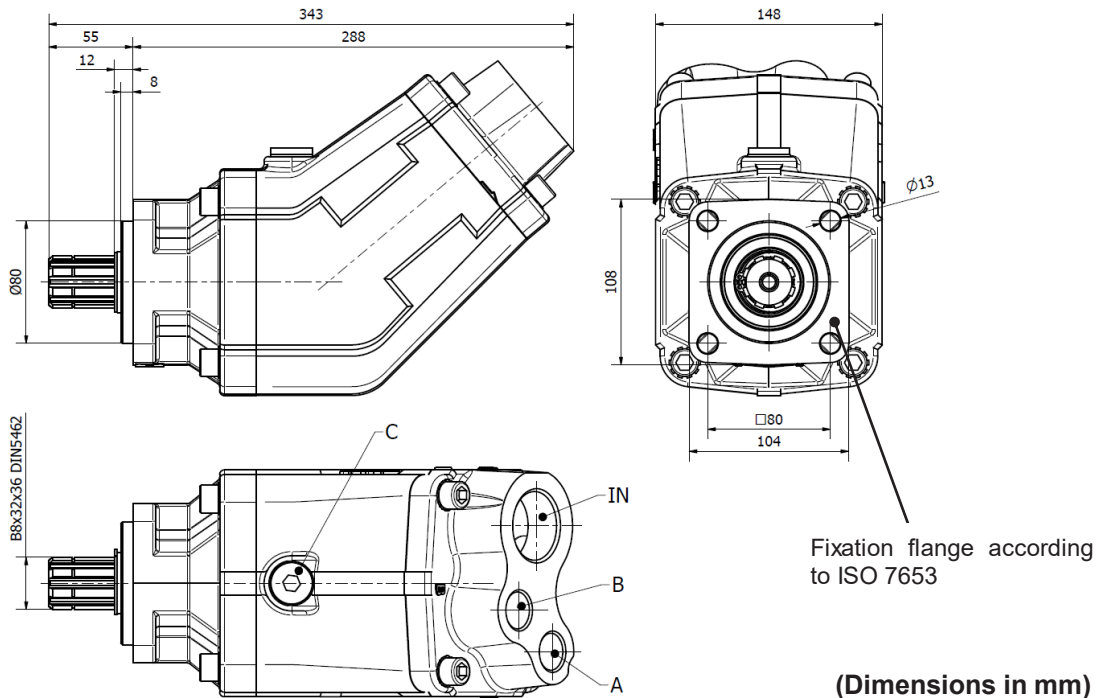




OIL-HYDRAULIC BENT PUMP AXIAL PISTONS

Ref. BID H

Main Dimensions



Main Data

| Pumps BID | 80+40H | | 55+55H | | 70+70H | |
|---|------------|----|------------|----|------------|----|
| | A | B | A | B | A | B |
| Displacement (cm ³ /rot.) | 80 | 38 | 58 | 60 | 70 | 66 |
| Operating pressure (bar) (up to) | 350 | | 350 | | 300 | |
| Peak pressure (bar) | 400 | | 400 | | 350 | |
| Operating rotation ¹ (rpm) | 1600 | | 1500 | | 1300 | |
| Max. rotation without load ¹ (rpm) | 2300 | | 2000 | | 1800 | |
| Weight (approx.) (kg) | 19 | | 19 | | 19 | |
| Pistons quantity | 5 + 5 | | 5 + 5 | | 5 + 5 | |
| IN-Oil inlet (DIN ISO 228) | 1 1/2" BSP | | 1 1/2" BSP | | 1 1/2" BSP | |
| A-Oil outlet (DIN ISO 228) | 1" BSP | | 1" BSP | | 1" BSP | |
| B-Oil outlet (DIN ISO 228) | 3/4" BS P | | 1" BSP | | 1" BSP | |
| C | Drain hole | | | | | |

How to order:

Example: Pump 80+40H, operating pressure up to 350 bar; peak pressure 400 bar, ref. BID BID80+40H

| | |
|--|--|
| Fluids | mineral oils type ISO HM or DIN 51524-2 HLP |
| Recommended viscosity range | 20 to 40 cSt (mm ² /s) at working temperature |
| Limits viscosity range | 10 to 750 cSt (mm ² /s) |
| Start-up viscosity range, without load | 750 to 1500 cSt (mm ² /s) |
| Filtration | 10µm ISO4406 18/13 |
| Inlet pressure range | 0,8 to 2 bar abs |
| In the application of any of these pumps; the use of these data does not exempt the reading of the instruction " BI pumps recommendations before start-up" | |

¹ These values are valid at an absolute pressure of 1 bar in suction port when operating with a mineral oil at a viscosity of 30 mm²/s (cSt).

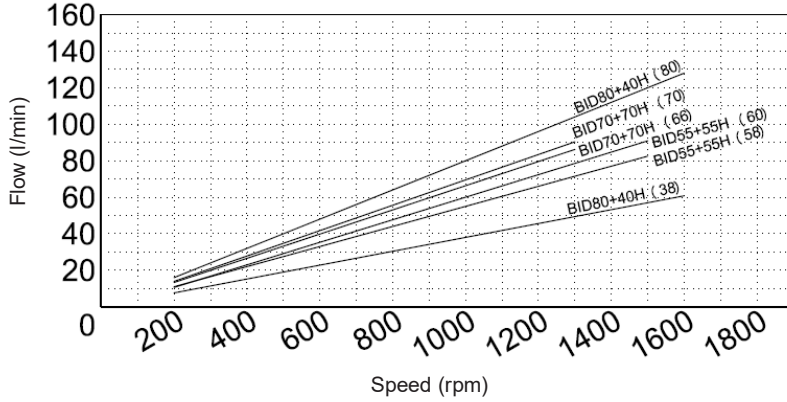
ABER is constantly engaged in improving its products and, therefore, reserves itself the right to modify without any further notice the characteristics shown



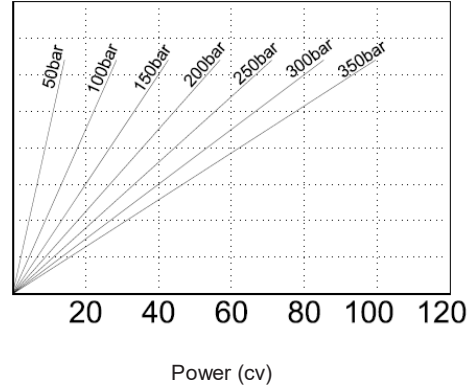
OIL-HYDRAULIC BENT PUMP AXIAL PISTONS

Ref. BID H

**Diagram
Flow - Speed**



**Diagram
Input Power - Flow - Pressure**



Hose dimensions

| Inlet Hose | |
|------------------|-------------------------------|
| Flow (l/min) | Internal pipe diameter (inch) |
| All applications | 3" |

| Outlet Hose | | | | | |
|--------------|-------------------------------|---------|---------|---------|---------|
| Flow (l/min) | Internal pipe diameter (inch) | | | | |
| | 30 | 1/2" | 1/2" | 1/2" | 1/2" |
| 40 | 5/8" | 1/2" | 1/2" | 1/2" | 1/2" |
| 50 | 5/8" | 5/8" | 5/8" | 1/2" | 1/2" |
| 60 | 3/4" | 5/8" | 5/8" | 5/8" | 5/8" |
| 70 | 1" | 3/4" | 3/4" | 5/8" | 5/8" |
| 80 | 1" | 3/4" | 3/4" | 3/4" | 3/4" |
| 90 | 1" | 1" | 1" | 3/4" | 3/4" |
| 100 | 1" | 1" | 1" | 1" | 3/4" |
| 110 | 1" | 1" | 1" | 1" | 1" |
| 120 | 1" | 1" | 1" | 1" | 1" |
| 130 | 1" | 1" | 1" | 1" | 1" |
| 140 | 1 1/4" | 1" | 1" | 1" | 1" |
| 150 | 1 1/4" | 1" | 1" | 1" | 1" |
| | 50-100 | 100-150 | 150-200 | 250-300 | 300-350 |
| | P (bar) | | | | |

Important notes:

- To install one of these pumps, please consult and respect the instruction "BI pumps r ecommendations before start-up";
- Other axis available, please consult "Axel options";
- Keep up the deposit above pump level.

ABER is constantly engaged in improving its products and, therefore, reserves itself the right to modify without any further notice the characteristics shown