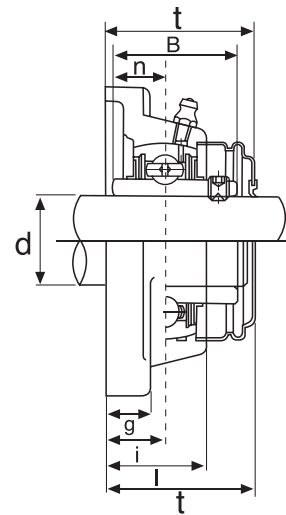
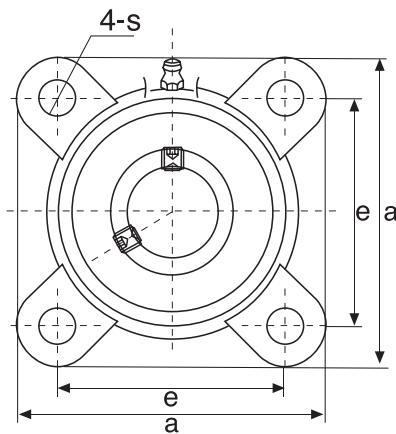
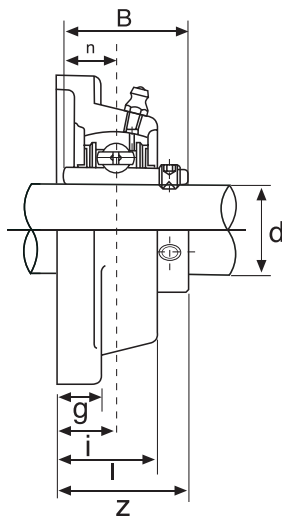


SUPPORTI A FLANGIA QUADRA - SQUARE BEARING UNITS

UCF2 Serie normale - Standard duty



| Tipo Type | Dimensioni - Dimensions | | | | | | | | | | | Bull. fiss. Bolt Size | Coefficients di carico (N) Load ratings (N) | | Cuscinetto Bearing | Supporto Housing | Peso Weight | |
|--------------|-------------------------|--------|--------|--------|-------|--------|-------|--------|--------|--------|--------|--------------------------|--|---|-----------------------|---------------------|----------------|----|
| | d | a | e | i | g | l | s | z | t | B | n | | Dinamico C Dynamic C | Statico C ₀ Static C ₀ | | | | kg |
| | mm/inch | | | | | | | | | | | | mm/inch | | | | | |
| UCF201 | 12 | 86 | 64 | 15 | 12 | 25,5 | 12 | 33,3 | 37,5 | 31 | 12,7 | M10 | 12160 | 6318 | UC201 | F204 | 0,60 | |
| UCF201-8 | ½ | 33/8 | 233/64 | 19/32 | 15/32 | 1 | 15/32 | 15/16 | 131/64 | 1,2205 | 0,500 | 3/8 | | | UC201-8 | | 0,59 | |
| UCF202 | 15 | 86 | 64 | 15 | 12 | 25,5 | 12 | 33,3 | 37,5 | 31 | 12,7 | M10 | 12160 | 6318 | UC202 | F204 | 0,59 | |
| UCF202-9 | 9/16 | 33/8 | 233/64 | 19/32 | 15/32 | 1 | 15/32 | 15/16 | 131/64 | 1,2205 | 0,500 | 3/8 | | | UC202-9 | | 0,59 | |
| UCF202-10 | 5/8 | 33/8 | 233/64 | 19/32 | 15/32 | 1 | 15/32 | 15/16 | 131/64 | 1,2205 | 0,500 | 3/8 | | | UC202-10 | | 0,59 | |
| UCF203 | 17 | 86 | 64 | 15 | 12 | 25,5 | 12 | 33,3 | 37,5 | 31 | 12,7 | M10 | 12160 | 6318 | UC203 | F204 | 0,58 | |
| UCF203-11 | 11/16 | 33/8 | 233/64 | 19/32 | 15/32 | 1 | 15/32 | 15/16 | 131/64 | 1,2205 | 0,500 | 3/8 | | | UC203-11 | | 0,57 | |
| UCF204 | 20 | 86 | 64 | 15 | 12 | 25,5 | 12 | 33,3 | 37,5 | 31 | 12,7 | M10 | 12160 | 6318 | UC204 | F204 | 0,56 | |
| UCF204-12 | ¾ | 33/8 | 233/64 | 19/32 | 15/32 | 1 | 15/32 | 15/16 | 131/64 | 1,2205 | 0,500 | 3/8 | | | UC204-12 | | 0,56 | |
| UCF205 | 25 | 95 | 70 | 16 | 14 | 27 | 12 | 35,8 | 40 | 34,1 | 14,3 | M10 | | | UC205 | F205 | 0,80 | |
| UCF205-13 | 13/16 | | | | | | | | | | | | | | UC205-13 | | 0,84 | |
| UCF205-14 | 7/8 | 3¾ | 2¾ | 5/8 | 35/64 | 11/16 | 15/32 | 113/32 | 19/16 | 1,3425 | 0,563 | 3/8 | 13300 | 7457 | UC205-14 | | 0,83 | |
| UCF205-15 | 15/16 | | | | | | | | | | | | | | UC205-15 | | 0,81 | |
| UCF205-16 | 1 | | | | | | | | | | | | | | UC205-16 | | 0,80 | |
| UCF206 | 30 | 108 | 83 | 18 | 14 | 31 | 12 | 40,2 | 44,5 | 38,1 | 15,9 | M10 | | | UC206 | F206 | 1,12 | |
| UCF206-17 | 11/16 | | | | | | | | | | | | | | UC206-17 | | 1,15 | |
| UCF206-18 | 11/8 | 4¼ | 317/64 | 45/64 | 35/64 | 17/32 | 15/32 | 119/32 | 1¾ | 1,5000 | 0,626 | 3/8 | 18525 | 10735 | UC206-18 | | 1,14 | |
| UCF206-19 | 13/15 | | | | | | | | | | | | | | UC206-19 | | 1,12 | |
| UCF206-20 | 1¼ | | | | | | | | | | | | | | UC206-20 | | 1,11 | |
| UCF207 | 35 | 117 | 92 | 19 | 16 | 34 | 14 | 44,4 | 48,5 | 42,9 | 17,5 | M12 | | | UC207 | F207 | 1,46 | |
| UCF207-20 | 1¼ | | | | | | | | | | | | | | UC207-20 | | 1,52 | |
| UCF207-21 | 15/16 | 439/64 | 35/8 | ¾ | 5/8 | 111/32 | 35/64 | 1¾ | 129/32 | 1,6890 | 0,689 | 7/16 | 24415 | 14630 | UC207-21 | | 1,49 | |
| UCF207-22 | 13/8 | | | | | | | | | | | | | | UC207-22 | | 1,46 | |
| UCF207-23 | 17/16 | | | | | | | | | | | | | | UC207-23 | | 1,43 | |
| UCF208 | 40 | 130 | 102 | 21 | 16 | 36 | 16 | 51,2 | 55,5 | 49,2 | 19 | M14 | | | UC208 | F208 | 1,84 | |
| UCF208-24 | 1½ | 51/8 | 41/64 | 53/64 | 5/8 | 127/64 | 5/8 | 21/64 | 23/16 | 1,9370 | 0,748 | ½ | 27645 | 16910 | UC208-24 | | 1,88 | |
| UCF208-25 | 19/16 | | | | | | | | | | | | | | UC208-25 | | 1,85 | |
| UCF209 | 45 | 137 | 105 | 22 | 18 | 38 | 16 | 52,2 | 56,5 | 49,2 | 19 | M14 | | | UC209 | F209 | 2,15 | |
| UCF209-26 | 15/8 | | | | | | | | | | | | | | UC209-26 | | 2,25 | |
| UCF209-27 | 111/16 | 513/32 | 49/64 | 55/64 | 23/32 | 1½ | 5/8 | 21/16 | 27/32 | 1,9370 | 0,748 | ½ | 32395 | 20235 | UC209-27 | | 2,21 | |
| UCF209-28 | 1¾ | | | | | | | | | | | | | | UC209-28 | | 2,17 | |
| UCF210 | 50 | 143 | 111 | 22 | 18 | 40 | 16 | 54,6 | 59,5 | 51,6 | 19 | M14 | | | UC210 | F210 | 2,42 | |
| UCF210-29 | 113/16 | | | | | | | | | | | | | | UC210-29 | | 2,54 | |
| UCF210-30 | 17/8 | 55/8 | 43/8 | 55/64 | 23/32 | 19/16 | 5/8 | 25/32 | 211/32 | 2,0315 | 0,748 | ½ | 33345 | 22135 | UC210-30 | | 2,49 | |
| UCF210-31 | 115/16 | | | | | | | | | | | | | | UC210-31 | | 2,44 | |
| UCF210-32 | 2 | | | | | | | | | | | | | | UC210-32 | | 2,40 | |
| UCF211 | 55 | 162 | 130 | 25 | 20 | 43 | 19 | 58,4 | 63 | 55,6 | 22,2 | M16 | | | UC211 | F211 | 3,31 | |
| UCF211-32 | 2 | | | | | | | | | | | | | | UC211-32 | | 3,46 | |
| UCF211-33 | 21/16 | 63/8 | 51/8 | 63/64 | 25/32 | 111/16 | ¾ | 15/16 | 231/64 | 2,1890 | 0,874 | 5/8 | 41230 | 27930 | UC211-33 | | 3,40 | |
| UCF211-34 | 21/8 | | | | | | | | | | | | | | UC211-34 | | 3,35 | |
| UCF211-35 | 23/16 | | | | | | | | | | | | | | UC211-35 | | 3,29 | |
| UCF212 | 60 | 175 | 143 | 29 | 20 | 48 | 19 | 68,7 | 73,5 | 65,1 | 25,4 | M16 | | | UC212 | F212 | 4,28 | |
| UCF212-36 | 2¼ | | | | | | | | | | | | | | UC212-36 | | 4,41 | |
| UCF212-37 | 25/16 | 657/64 | 55/8 | 19/64 | 25/32 | 157/64 | ¾ | 245/64 | 257/64 | 2,5630 | 1,000 | 5/8 | 49780 | 34390 | UC212-37 | | 4,33 | |
| UCF212-38 | 23/8 | | | | | | | | | | | | | | UC212-38 | | 4,26 | |
| UCF212-39 | 27/16 | | | | | | | | | | | | | | UC212-39 | | 4,19 | |
| UCF213 | 65 | 187 | 149 | 30 | 22 | 50 | 19 | 69,7 | 74,5 | 65,1 | 25,4 | M16 | | | UC213 | F213 | 4,99 | |
| UCF213-40 | 2½ | 723/64 | 555/64 | 13/16 | 55/64 | 131/32 | ¾ | 2¾ | 215/16 | 2,5630 | 1,000 | 5/8 | 54340 | 38095 | UC213-40 | | 5,08 | |
| UCF213-41 | 29/16 | | | | | | | | | | | | | | UC213-41 | | 4,99 | |
| UCF214 | 70 | 193 | 152 | 31 | 22 | 54 | 19 | 75,4 | 81,5 | 74,6 | 30,2 | M16 | | | UC214 | F214 | 5,85 | |
| UCF214-42 | 25/8 | | | | | | | | | | | | | | UC214-42 | | 6,06 | |
| UCF214-43 | 211/16 | 719/32 | 563/64 | 17/32 | 55/64 | 21/8 | ¾ | 221/32 | 313/64 | 2,9370 | 1,189 | 5/8 | 59090 | 41895 | UC214-43 | | 5,96 | |
| UCF214-44 | 2¾ | | | | | | | | | | | | | | UC214-44 | | 5,86 | |
| UCF215 | 75 | 200 | 159 | 34 | 22 | 56 | 19 | 78,5 | 83,5 | 77,8 | 33,3 | M16 | | | UC215 | F215 | 6,91 | |
| UCF215-45 | 213/16 | | | | | | | | | | | | | | UC215-45 | | 7,16 | |
| UCF215-46 | 27/8 | 77/8 | 617/64 | 111/32 | 55/64 | 27/32 | ¾ | 33/32 | 39/32 | 3,0630 | 1,311 | 5/8 | 64030 | 45885 | UC215-46 | | 7,05 | |
| UCF215-47 | 215/16 | | | | | | | | | | | | | | UC215-47 | | 6,94 | |
| UCF215-48 | 3 | | | | | | | | | | | | | | UC215-48 | | 6,82 | |
| UCF216 | 80 | 208 | 165 | 34 | 22 | 58 | 23 | 83,3 | 88,5 | 82,6 | 33,3 | M20 | | | UC216 | F216 | 7,50 | |
| UCF216-49 | 31/16 | | | | | | | | | | | | | | UC216-49 | | 7,68 | |
| UCF216-50 | 31/8 | 83/16 | 6½ | 111/32 | 55/64 | 29/32 | 29/32 | 39/32 | 339/64 | 3,2520 | 1,311 | ¾ | 69065 | 50350 | UC216-50 | | 7,55 | |
| UCF216-51 | 33/16 | | | | | | | | | | | | | | UC216-51 | | 7,42 | |
| UCF217 | 85 | 220 | 175 | 36 | 24 | 63 | 23 | 87,6 | 92,6 | 85,7 | 34,1 | M20 | | | UC217 | F217 | 9,66 | |
| UCF217-52 | 3¼ | | | | | | | | | | | | | | UC217-52 | | 9,88 | |
| UCF217-53 | 35/6 | 821/33 | 657/64 | 127/64 | 15/16 | 215/32 | 29/32 | 37/16 | 341/64 | 3,3740 | 1,343 | ¾ | 79800 | 58805 | UC217-53 | | 9,74 | |
| UCF217-55 | 37/16 | | | | | | | | | | | | | | UC217-55 | | 9,45 | |
| UCF218 | 90 | 235 | 187 | 40 | 24 | 68 | 23 | 96,3 | 101,5 | 96 | 39,7 | M20 | | | UC218 | F218 | 12,06 | |
| UCF218-56 | 3½ | 9¼ | 723/64 | 137/64 | 15/16 | 211/16 | 29/32 | 325/32 | 4 | 3,7795 | 1,5630 | ¾ | 91295 | 67925 | UC218-56 | | 12,17 | |
| UCF220 | 100 | 265 | 210 | 44 | 25 | 70 | 27 | 110 | 138 | 108 | 42 | M12 | 122,1 | 93 | UC220 | F218 | 17,58 | |
| UCF220-64 | 101,6 | 265 | 210 | 44 | 25 | 70 | 27 | 110 | 138 | 108 | 42 | M12 | | | UC220-64 | | 17,58 | |

Disponibile in acciaio inox Supporto: AISI 304 - Cuscinetto: AISI 440C o 420C - Available stainless steel Housing: AISI 304 - Bearing: AISI 440C or 420C
 Disponibile su richiesta con cuscinetto SA (SAF.) - Available under request with SA bearing (SAF.)