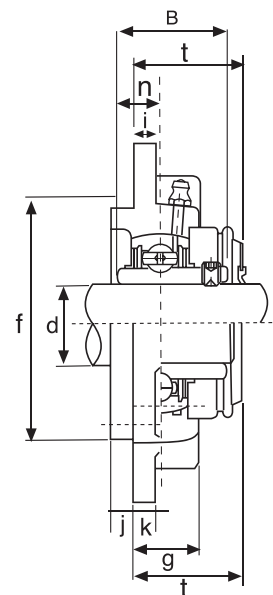
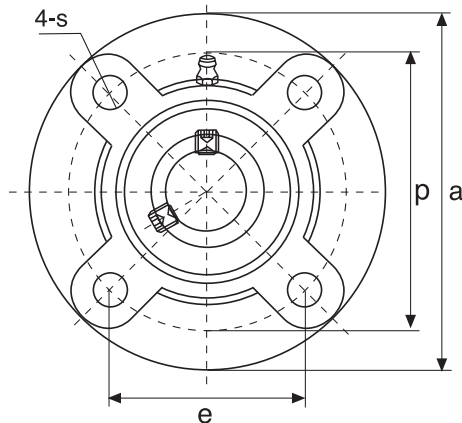
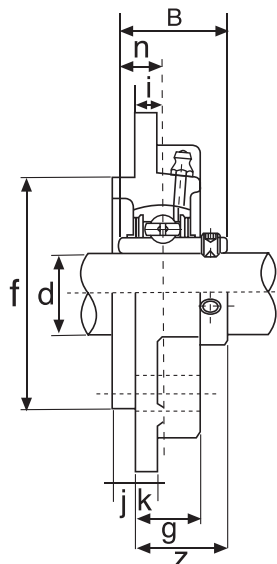


UCFC2 Serie normale - Standard duty



Tipo Type	Dimensioni - Dimensions												Bull. fiss. Bolt Size	Coefficienti di carico (N) Load ratings (N)		Cuscinetto Bearing	Supporto Housing	Peso Weight		
	d	a	p	e	i	s	j	k	g	f	z	t		B	n				Dinamico C Dynamic C	Statico C ₀ Static C ₀
UCFC201 UCFC201-8	12 1/2	100 315/16	78 35/64	55,1 211/64	10 25/64	12 15/32	5 13/64	7 9/32	20,5 2,4409	62 11/8	28,3 19/32	32,5 1,2205	31 0,500	12,7	M10 3/8	12160	6318	UC201 UC201-8	FC204	0,73 0,72
UCFC202 UCFC202-9 UCFC202-10	15 9/16 5/8	100 315/16	78 35/64	55,1 211/64	10 25/64	12 15/32	5 13/64	7 9/32	20,5 2,4409	62 11/8	28,3 19/32	32,5 1,2205	31 0,500	12,7	M10 3/8	12160	6318	UC202 UC202-9 UC202-10	FC204	0,72 0,72 0,72
UCFC203 UCFC203-11	17 11/16	100 315/16	78 35/64	55,1 211/64	10 25/64	12 15/32	5 13/64	7 9/32	20,5 2,4409	62 11/8	28,3 19/32	32,5 1,2205	31 0,500	12,7	M10 3/8	12160	6318	UC203 UC203-11	FC204	0,71 0,70
UCFC204 UCFC204-12	20 3/4	100 315/16	78 35/64	55,1 211/64	10 25/64	12 15/32	5 13/64	7 9/32	20,5 2,4409	62 11/8	28,3 19/32	32,5 1,2205	31 0,500	12,7	M10 3/8	12160	6318	UC204 UC204-12	FC204	0,69 0,69
UCFC205 UCFC205-13 UCFC205-14 UCFC205-15 UCFC205-16	25 13/16 7/8 15/16 1	115 417/32	90 335/64	63,6 2 1/2	10 25/64	12 15/32	6 15/64	7 9/32	21 2,7559	70 111/64	29,8 111/32	34 1,3425	14,3	14,3	M10 3/8	13300	7457	UC205 UC205-13 UC205-14 UC205-15 UC205-16	FC205	1,00 1,04 1,03 1,01 1,00
UCFC206 UCFC206-17 UCFC206-18 UCFC206-19 UCFC206-20	30 11/16 11/8 13/16 1 1/4	125 459/64	100 315/16	70,7 225/32	10 25/64	12 15/32	8 5/16	8 5/16	23 3,1496	80 117/64	32,2 17/16	36,5	15,9	15,9	M10 3/8	18525	10735	UC206 UC206-17 UC206-18 UC206-19 UC206-20	FC206	1,30 1,31 1,32 1,30 1,29
UCFC207 UCFC207-20 UCFC207-21 UCFC207-22 UCFC207-23	35 1 1/4 15/16 13/8 17/16	135 55/16	110 421/64	77,8 311/16	11 7/16	14 35/64	8 5/16	9 23/64	26 3,5433	90 17/16	36,4 15/8	41 1,6890	17,5	17,5	M12 7/16	24415	14630	UC207 UC207-20 UC207-21 UC207-22 UC207-23	FC207	1,81 1,87 1,84 1,81 1,78
UCFC208 UCFC208-24 UCFC208-25	40 1 1/2 19/6	145 545/64	120 423/32	84,8 3211/32	11 7/16	14 35/64	10 25/64	9 23/84	26 3,9370	100 15/8	41,2 151/64	45,5 1,9370	19 0,748	19	M12 7/16	27645	16910	UC208 UC208-24 UC208-25	FC208	2,14 2,18 2,15
UCFC209 UCFC209-26 UCFC209-27 UCFC209-28	45 15/8 111/16 1 3/4	160 619/64	132 513/64	93,3 343/64	10 25/64	16 5/8	12 15/32	14 35/64	26 4,1339	105 137/64	40,2 1 3/4	44,5 1,9370	19 0,748	19	M14 1/2	32395	20235	UC209 UC209-26 UC209-27 UC209-28	FC209	2,68 2,78 2,74 2,70
UCFC210 UCFC210-29 UCFC210-30 UCFC210-31 UCFC210-32	50 113/16 17/8 115/16 2	165 6 1/2	138 57/16	97,6 327/32	10 25/64	16 5/8	12 15/32	14 35/64	28 4,3307	110 11/16	42,6 17/8	47,5 2,0315	19 0,748	19	M14 1/2	33345	22135	UC210 UC210-29 UC210-30 UC210-31 UC210-32	FC210	2,90 3,02 2,97 2,92 2,88
UCFC211 UCFC211-32 UCFC211-33 UCFC211-34 UCFC211-35	55 2 21/16 23/8 23/16	185 79/32	150 529/32	106,1 431/16	13 33/64	19 3/4	12 15/32	15 19/32	31 4,9213	125 153/64	46,4 21/64	51 2,1890	22,2	22,2	M16 5/8	41230	27930	UC211 UC211-32 UC211-33 UC211-34 UC211-35	FC211	4,01 4,16 4,10 4,05 3,99
UCFC212 UCFC212-36 UCFC212-37 UCFC212-38 UCFC212-39	60 2 1/4 25/16 23/8 27/16	195 711/64	160 619/64	113,1 429/64	17 43/64	19 3/4	12 15/32	15 19/32	36 5,3150	135 215/64	56,7 227/64	61,5 2,5630	25,4 1,000	25,4	M16 5/8	49780	34390	UC212 UC212-36 UC212-37 UC212-38 UC212-39	FC212	4,94 5,07 4,99 4,92 4,85
UCFC213 UCFC213-40 UCFC213-41	65 2 1/2 29/16	205 85/64	170 611/16	120,2 447/64	16 5/8	19 3/4	14 35/64	15 19/32	36 5,5118	145 13/16	55,7 225/64	60,5 2,5630	25,4 1,000	25,4	M16 5/8	54340	38095	UC213 UC213-40 UC213-41	FC213	5,65 5,74 5,65
UCFC214 UCFC214-42 UCFC214-43 UCFC214-44	70 25/8 211/64 2 3/4	215 815/32	177 681/32	125,1 459/64	17 43/64	19 3/4	14 35/64	18 23/32	40 5,9055	150 113/32	61,4	- 2,9370	30,2 1,189	30,2	M16 5/8	59090	41895	UC214 UC214-42 UC214-43 UC214-44	FC214	6,95 7,16 7,06 6,96
UCFC215 UCFC215-45 UCFC215-46 UCFC215-47 UCFC215-48	75 213/16 27/8 215/16 3	220 831/32	184 7 1/4	130,1 51/8	18 23/32	19 3/4	16 5/8	18 23/32	40 6,2992	160 215/32	62,5	- 3,0630	33,3 1,311	33,3	M16 5/8	64030	45885	UC215 UC215-45 UC215-46 UC215-47 UC215-48	FC215	7,56 7,81 7,70 7,59 7,47
UCFC216 UCFC216-49 UCFC216-50 UCFC216-51	80 31/16 31/8 33/16	240 929/64	200 77/8	141,4 59/16	18 23/32	23 29/32	16 5/8	18 23/32	42 6,6929	170 221/32	67,3	- 3,2520	33,3 1,311	33,3	M20 3/4	69065	50350	UC216 UC216-49 UC216-50 UC216-51	FC216	9,15 9,28 9,20 9,07
UCFC217 UCFC217-52 UCFC217-53 UCFC217-55	85 3 1/4 35/16 37/16	250 816/32	208 83/16	147,1 551/64	18 23/32	23 29/32	18 23/32	20 25/32	45 7,0866	180 2 3/4	69,6	- 3,3740	34,1 1,343	34,1	M20 3/4	79800	58805	UC217 UC217-52 UC217-53 UC217-55	FC217	10,81 11,03 10,89 10,60
UCFC218 UCFC218-56	90 3 1/2	265 107/16	220 821/32	155,5 61/8	22 55/64	23 29/32	18 23/32	18 25/32	50 7,4803	190 33/32	78,3	- 3,7795	39,7 1,5630	39,7	M20 3/4	91295	67925	UC218 UC218-56	FC218	12,96 13,07

Disponibile in acciaio inox Supporto: AISI 304 - Cuscinetto: AISI 440C o 420C - Available stainless steel Housing: AISI 304 - Bearing: AISI 440C or 420C
Disponibile su richiesta con cuscinetto SA (SAFC...) - Available under request with SA bearing (SAFC...)