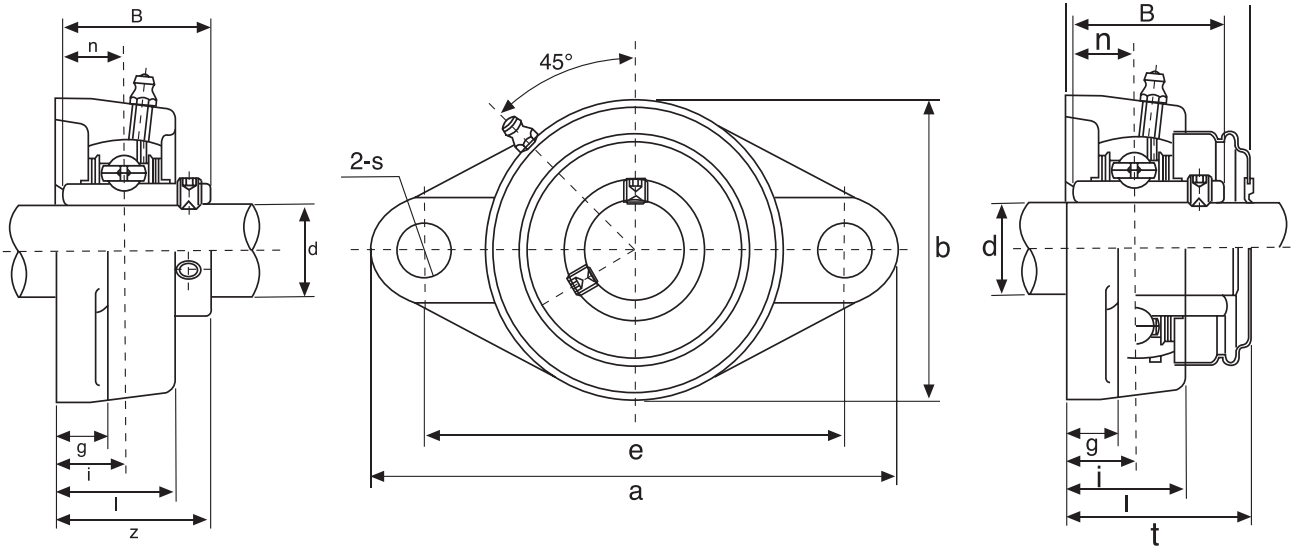


UCFL2 Serie normale - Standard duty



| Tipo Type | Dimensioni - Dimensions | | | | | | | | | | | Bull. fiss. Bolt Size | Coefficients di carico (N) Load ratings (N) | | Cuscinetto Bearing | Supporto Housing | Peso Weight | | | | |
|--------------|-------------------------|---------|---------|--------|-------|--------|-------|--------|--------|--------|--------|--------------------------|--|-------------------------|-----------------------|---------------------|----------------|---|----------|--|-------|
| | d | a | e | i | g | l | s | b | z | t | B | | n | Dinamico C Dynamic C | | | | Statico C ₀ Static C ₀ | kg | | |
| | mm/inch | | | | | | | | | | | | mm/inch | | | | | | | | |
| UCFL201 | 12 | 113 | 90 | 15 | 11 | 25,5 | 12 | 60 | 33,3 | 37,5 | 31 | 12,7 | M10 | 12160 | 6318 | UC201 | FL204 | 0,45 | | | |
| UCFL201-8 | ½ | 47/16 | 335/64 | 19/32 | 7/16 | 1 | 15/32 | 23/8 | 15/16 | 131/64 | 1,2205 | 0,500 | 3/8 | | | | | | 0,44 | | |
| UCFL202 | 15 | 113 | 90 | 15 | 11 | 25,5 | 12 | 60 | 33,3 | 37,5 | 31 | 12,7 | M10 | 12160 | 6318 | UC202 | FL204 | 0,44 | | | |
| UCFL202-9 | 9/16 | 47/16 | 335/64 | 19/32 | 7/16 | 1 | 15/32 | 23/8 | 15/16 | 131/64 | 1,2205 | 0,500 | 3/8 | | | | | | 0,44 | | |
| UCFL202-10 | 5/8 | 47/16 | 335/64 | 19/32 | 7/16 | 1 | 15/32 | 23/8 | 15/16 | 131/64 | 1,2205 | 0,500 | 3/8 | | | UC202-9 | | 0,44 | | | |
| UCFL203 | 17 | 113 | 90 | 15 | 11 | 25,5 | 12 | 60 | 33,3 | 37,5 | 31 | 12,7 | M10 | 12160 | 6318 | UC203 | FL204 | 0,43 | | | |
| UCFL203-11 | 11/16 | 47/16 | 335/64 | 19/32 | 7/16 | 1 | 15/32 | 23/8 | 15/16 | 131/64 | 1,2205 | 0,500 | 3/8 | | | | | | UC203-11 | | 0,42 |
| UCFL204 | 20 | 113 | 90 | 15 | 11 | 25,5 | 12 | 60 | 33,3 | 37,5 | 31 | 12,7 | M10 | 12160 | 6318 | UC204 | FL204 | 0,41 | | | |
| UCFL204-12 | ¾ | 47/16 | 335/64 | 19/32 | 7/16 | 1 | 15/32 | 23/8 | 15/16 | 131/64 | 1,2205 | 0,500 | 3/8 | | | | | | UC204-12 | | 0,41 |
| UCFL205 | 25 | 130 | 99 | 16 | 13 | 27 | 16 | 68 | 35,8 | 40 | 34,1 | 14,3 | M14 | 13300 | 7457 | UC205 | FL205 | 0,58 | | | |
| UCFL205-13 | 13/16 | | | | | | | | | | | | | | | | | | UC205-13 | | 0,62 |
| UCFL205-14 | 7/8 | 51/8 | 357/64 | 5/8 | ½ | 11/16 | 5/8 | 211/16 | 113/32 | 19/16 | 1,3425 | 0,563 | ½ | | | | | | UC205-14 | | 0,61 |
| UCFL205-15 | 15/16 | | | | | | | | | | | | | | | | | | UC205-15 | | 0,59 |
| UCFL205-16 | 1 | | | | | | | | | | | | | | | | | | UC205-16 | | 0,58 |
| UCFL206 | 30 | 148 | 117 | 18 | 13 | 31 | 16 | 80 | 40,2 | 44,5 | 38,1 | 15,9 | M14 | 18525 | 10735 | UC206 | FL206 | 0,86 | | | |
| UCFL206-17 | 11/16 | | | | | | | | | | | | | | | | | | UC206-17 | | 0,89 |
| UCFL206-18 | 11/8 | 513/16 | 439/64 | 45/64 | ½ | 17/32 | 5/8 | 35/32 | 119/32 | 1¾ | 1,5000 | 0,626 | ½ | | | | | | UC206-18 | | 0,88 |
| UCFL206-19 | 13/16 | | | | | | | | | | | | | | | | | | UC206-19 | | 0,86 |
| UCFL206-20 | 1¼ | | | | | | | | | | | | | | | | | | UC206-20 | | 0,85 |
| UCFL207 | 35 | 161 | 130 | 19 | 14 | 34 | 16 | 90 | 44,4 | 48,5 | 42,9 | 17,5 | M14 | 24415 | 14630 | UC207 | FL207 | 1,08 | | | |
| UCFL207-20 | 1¼ | | | | | | | | | | | | | | | | | | UC207-20 | | 1,14 |
| UCFL207-21 | 15/16 | 611/32 | 51/8 | ¾ | 35/64 | 113/32 | 5/8 | 335/64 | 1¾ | 129/32 | 1,6890 | 0,689 | ½ | | | | | | UC207-21 | | 1,11 |
| UCFL207-22 | 13/8 | | | | | | | | | | | | | | | | | | UC207-22 | | 1,08 |
| UCFL207-23 | 17/16 | | | | | | | | | | | | | | | | | | UC207-23 | | 1,05 |
| UCFL208 | 40 | 175 | 144 | 21 | 14 | 36 | 16 | 100 | 51,2 | 55,5 | 49,2 | 19 | M14 | 27645 | 16910 | UC208 | FL208 | 1,44 | | | |
| UCFL208-24 | 1½ | 67/8 | 543/64 | 53/64 | 35/64 | 113/32 | 5/8 | 315/16 | 21/64 | 23/16 | 1,9370 | 0,748 | ½ | | | | | | UC208-24 | | 1,48 |
| UCFL208-25 | 19/16 | | | | | | | | | | | | | | | | | | UC208-25 | | 1,45 |
| UCFL209 | 45 | 188 | 148 | 22 | 15 | 38 | 19 | 108 | 52,2 | 56,5 | 49,2 | 19 | M16 | 32395 | 20235 | UC209 | FL209 | 1,74 | | | |
| UCFL209-26 | 15/8 | | | | | | | | | | | | | | | | | | UC209-26 | | 1,84 |
| UCFL209-27 | 111/16 | 713/32 | 553/64 | 55/64 | 19/32 | 1½ | ¾ | 4¼ | 21/16 | 27/32 | 1,9370 | 0,748 | 5/8 | | | | | | UC209-27 | | 1,80 |
| UCFL209-28 | 1¾ | | | | | | | | | | | | | | | | | | UC209-28 | | 1,76 |
| UCFL210 | 50 | 197 | 157 | 22 | 15 | 40 | 19 | 115 | 54,6 | 59,5 | 51,6 | 19 | M16 | 33345 | 22135 | UC210 | FL210 | 2,10 | | | |
| UCFL210-29 | 113/16 | | | | | | | | | | | | | | | | | | UC210-29 | | 2,22 |
| UCFL210-30 | 17/8 | 7¾ | 63/16 | 55/64 | 19/32 | 137/64 | ¾ | 417/32 | 25/32 | 211/32 | 2,0315 | 0,748 | 5/8 | | | | | | UC210-30 | | 2,17 |
| UCFL210-31 | 115/16 | | | | | | | | | | | | | | | | | | UC210-31 | | 2,12 |
| UCFL210-32 | 2 | | | | | | | | | | | | | | | | | | UC210-32 | | 2,08 |
| UCFL211 | 55 | 224 | 184 | 25 | 18 | 43 | 19 | 130 | 58,4 | 63 | 55,6 | 22,2 | M16 | 41230 | 27930 | UC211 | FL211 | 2,91 | | | |
| UCFL211-32 | 2 | | | | | | | | | | | | | | | | | | UC211-32 | | 3,06 |
| UCFL211-33 | 21/16 | 813/16 | 7¼ | 63/64 | 23/32 | 111/16 | ¾ | 51/6 | 25/16 | 215/32 | 2,1890 | 0,874 | 5/8 | | | | | | UC211-33 | | 3,00 |
| UCFL211-34 | 21/8 | | | | | | | | | | | | | | | | | | UC211-34 | | 2,95 |
| UCFL211-35 | 23/16 | | | | | | | | | | | | | | | | | | UC211-35 | | 2,89 |
| UCFL212 | 60 | 250 | 202 | 29 | 18 | 48 | 23 | 140 | 68,7 | 73,5 | 65,1 | 25,4 | M20 | 49780 | 34390 | UC212 | FL212 | 3,74 | | | |
| UCFL212-36 | 2¼ | | | | | | | | | | | | | | | | | | UC212-36 | | 3,87 |
| UCFL212-37 | 25/16 | 927/32 | 761/64 | 19/64 | 23/32 | 17/8 | 29/32 | 5½ | 223/32 | 257/64 | 2,5630 | 1,000 | ¾ | | | | | | UC212-37 | | 3,79 |
| UCFL212-38 | 23/8 | | | | | | | | | | | | | | | | | | UC212-38 | | 3,72 |
| UCFL212-39 | 27/16 | | | | | | | | | | | | | | | | | | UC212-39 | | 3,65 |
| UCFL213 | 65 | 258 | 210 | 30 | 22 | 50 | 23 | 155 | 69,7 | 74,5 | 65,1 | 25,4 | M20 | 54340 | 38095 | UC213 | FL213 | 4,57 | | | |
| UCFL213-40 | 2½ | 105/32 | 817/64 | 13/16 | 7/8 | 131/32 | 29/32 | 63/32 | 2¾ | 215/16 | 2,5630 | 1,000 | ¾ | | | | | | UC213-40 | | 4,66 |
| UCFL213-41 | 29/16 | | | | | | | | | | | | | | | | | | UC213-41 | | 4,57 |
| UCFL214 | 70 | 265 | 216 | 31 | 22 | 54 | 23 | 160 | 75,4 | - | 74,6 | 30,2 | M20 | 59090 | 41895 | UC214 | FL214 | 5,11 | | | |
| UCFL214-42 | 25/8 | | | | | | | | | | | | | | | | | | UC214-42 | | 5,32 |
| UCFL214-43 | 211/16 | 107/16 | 8½ | 17/32 | 7/8 | 21/8 | 29/32 | 65/16 | 231/32 | - | 2,9370 | 1,189 | ¾ | | | | | | UC214-43 | | 5,22 |
| UCFL214-44 | 2¾ | | | | | | | | | | | | | | | | | | UC214-44 | | 5,12 |
| UCFL215 | 75 | 275 | 225 | 34 | 22 | 56 | 23 | 165 | 78,5 | - | 77,8 | 33,3 | M20 | 64030 | 45885 | UC215 | FL215 | 5,37 | | | |
| UCFL215-45 | 213/16 | | | | | | | | | | | | | | | | | | UC215-45 | | 5,62 |
| UCFL215-46 | 27/8 | 1013/16 | 855/64 | 111/32 | 7/8 | 27/32 | 29/32 | 6½ | 33/32 | - | 3,0630 | 1,311 | ¾ | | | | | | UC215-46 | | 5,51 |
| UCFL215-47 | 215/16 | | | | | | | | | | | | | | | | | | UC215-47 | | 5,40 |
| UCFL215-48 | 3 | | | | | | | | | | | | | | | | | | UC215-48 | | 5,28 |
| UCFL216 | 80 | 290 | 233 | 34 | 22 | 58 | 25 | 180 | 83,3 | - | 82,6 | 33,3 | M22 | 69065 | 50350 | UC216 | FL216 | 7,20 | | | |
| UCFL216-49 | 31/16 | | | | | | | | | | | | | | | | | | UC216-49 | | 7,38 |
| UCFL216-50 | 31/8 | 1113/32 | 911/64 | 111/32 | 7/8 | 29/32 | 63/64 | 73/32 | 39/32 | - | 3,2520 | 1,311 | 7/8 | | | | | | UC216-50 | | 7,25 |
| UCFL216-51 | 31/16 | | | | | | | | | | | | | | | | | | UC216-51 | | 7,12 |
| UCFL217 | 85 | 305 | 248 | 36 | 24 | 63 | 25 | 190 | 87,6 | - | 85,7 | 34,1 | M22 | 79800 | 58805 | UC217 | FL217 | 8,61 | | | |
| UCFL217-52 | 3¼ | | | | | | | | | | | | | | | | | | UC217-52 | | 8,83 |
| UCFL217-53 | 35/16 | 12 | 949/64 | 127/64 | 15/16 | 215/32 | 63/64 | 715/32 | 37/16 | - | 3,3740 | 1,343 | 7/8 | | | | | | UC217-53 | | 8,69 |
| UCFL217-55 | 37/16 | | | | | | | | | | | | | | | | | | UC217-55 | | 8,40 |
| UCFL218 | 90 | 320 | 265 | 40 | 24 | 68 | 25 | 205 | 96,3 | - | 96 | 39,7 | M22 | 91295 | 67925 | UC218 | FL218 | 10,51 | | | |
| UCFL218-56 | 3½ | 1219/32 | 1071/16 | 137/64 | 15/16 | 211/16 | 63/64 | 811/16 | 325/32 | - | 3,7795 | 1,5630 | 7/8 | | | | | | UC218-56 | | 10,62 |