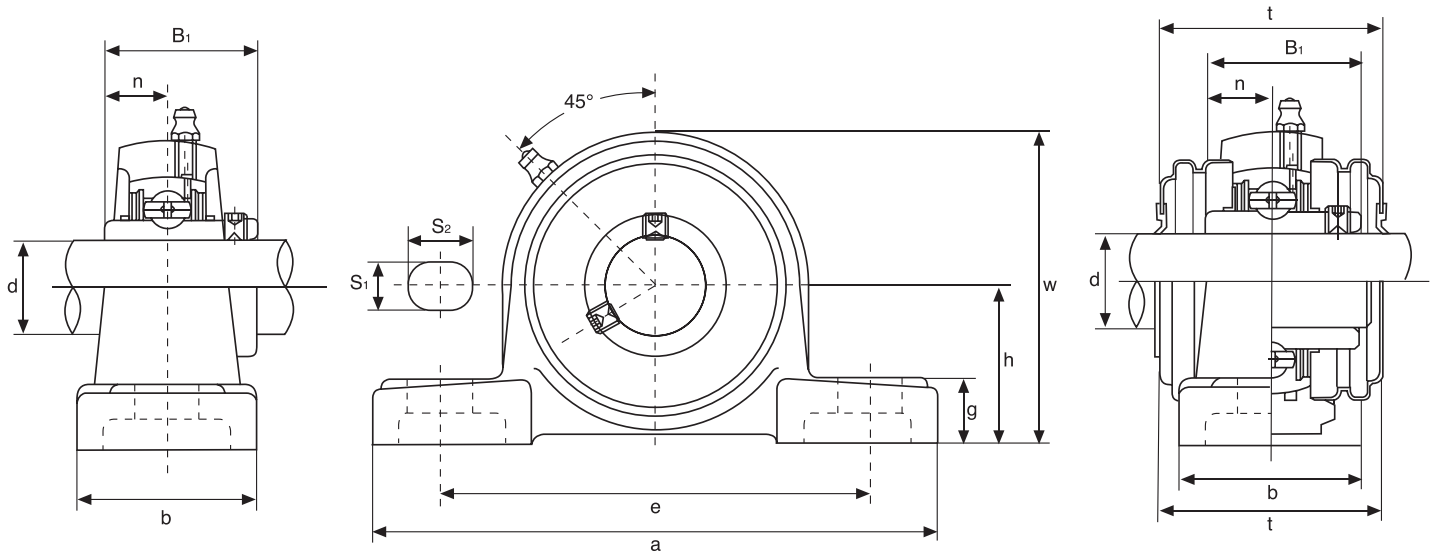


UCP2 Serie normale - Standard duty



Tipo Type	Dimensioni - Dimensions												Bull. fiss. Bolt Size	Coefficienti di carico (N) Load ratings (N)		Cuscinetto Bearing	Supporto Housing	Peso Weight	
	d	h	a	e	b	S ₁	S ₂	g	w	t	B ₁	n		Dinamico C _d Dynamic C	Statico C _s Static C _s				kg
	mm/inch													mm/inch					
UCP201	12	30,2	127	95	38	13	19	14	62	44,5	31	12,7	M10	12160	6318	UC201	P203	0,69	
UCP201-8	1/2	13/16	5	3 3/4	1 1/2	1/2	3/4	9/16	27/16	1 3/4	1,2205	0,500	3/8			UC201-8		0,69	
UCP202	15	30,2	127	95	38	13	19	14	62	44,5	31	12,7	M10	12160	6318	UC202	P203	0,69	
UCP202-9	9/16	13/16	5	3 3/4	1 1/2	1/2	3/4	9/16	27/16	1 3/4	1,2205	0,500	3/8			UC202-9		0,69	
UCP202-10	5/8															UC202-10		0,69	
UCP203	17	30,2	127	95	38	13	19	14	62	44,5	31	12,7	M10	12160	6318	UC203	P203	0,68	
UCP203-11	11/16	13/16	5	3 3/4	1 1/2	1/2	3/4	9/16	27/16	1 3/4	1,2205	0,500	3/8			UC203-11		0,67	
UCP204	20	33,3	127	95	38	13	19	14	65	44,5	31	12,7	M10	12160	6318	UC204	P204	0,66	
UCP204-12	3/4	15/16	5	3 3/4	1 1/2	1/2	3/4	9/16	29/16	1 3/4	1,2205	0,500	3/8			UC204-12		0,66	
UCP205	25	36,5	140	105	38	13	19	15	71	48	34,1	14,3	M10	13300	7457	UC205	P205	0,81	
UCP205-13	13/16															UC205-13		0,85	
UCP205-14	7/8															UC205-14		0,83	
UCP205-15	15/16															UC205-15		0,82	
UCP205-16	1															UC205-16		0,81	
UCP206	30	42,9	165	121	48	17	20	17	84	53	38,1	15,9	M14	18525	10735	UC206	P206	1,24	
UCP206-17	11/16															UC206-17		1,27	
UCP206-18	11/8															UC206-18		1,26	
UCP206-19	13/16															UC206-19		1,24	
UCP206-20	1 1/4															UC206-20		1,23	
UCP207	35	47,6	167	127	48	17	20	18	93	59,5	42,9	17,5	M14	24415	14630	UC207	P207	1,58	
UCP207-20	1 1/4															UC207-20		1,64	
UCP207-21	15/16															UC207-21		1,61	
UCP207-22	13/8															UC207-22		1,58	
UCP207-23	17/16															UC207-23		1,55	
UCP208	40	49,2	184	137	54	17	20	18	100	69	49,2	19	M14	27645	16910	UC208	P208	1,89	
UCP208-24	1 1/2															UC208-24		1,93	
UCP208-25	19/16															UC208-25		1,90	
UCP209	45	54,0	190	146	54	17	20	20	106	69	49,2	19	M14	32395	20235	UC209	P209	2,14	
UCP209-26	15/8															UC209-26		2,24	
UCP209-27	111/16															UC209-27		2,20	
UCP209-28	1 3/4															UC209-28		2,14	
UCP210	50	57,2	206	159	60	20	23	21	113	74,5	51,6	19	M16	33345	22135	UC210	P210	2,66	
UCP210-29	113/16															UC210-29		2,78	
UCP210-30	17/8															UC210-30		2,73	
UCP210-31	115/16															UC210-31		2,68	
UCP210-32	2															UC210-32		2,64	
UCP211	55	63,5	219	171	60	20	23	23	125	76	55,6	22,2	M16	41230	27930	UC211	P211	3,31	
UCP211-32	2															UC211-32		3,46	
UCP211-33	21/16															UC211-33		3,40	
UCP211-34	21/8															UC211-34		3,35	
UCP211-35	23/16															UC211-35		3,29	
UCP212	60	69,8	241	184	70	20	23	25	138	89	65,1	25,4	M16	49780	34390	UC212	P212	4,90	
UCP212-36	2 1/4															UC212-36		5,03	
UCP212-37	25/16															UC212-37		4,95	
UCP212-38	23/8															UC212-38		4,88	
UCP212-39	27/16															UC212-39		4,81	
UCP213	65	76,2	265	203	70	25	28	27	150	89	65,1	25,4	M20	54340	38095	UC213	P213	5,15	
UCP213-40	2 1/2															UC213-40		5,24	
UCP213-41	29/16															UC213-41		5,15	
UCP214	70	79,4	266	210	72	25	28	27	156	-	74,6	30,2	M20	59090	41895	UC214	P214	6,20	
UCP214-42	25/8															UC214-42		6,41	
UCP214-43	211/16															UC214-43		6,31	
UCP214-44	2 3/4															UC214-44		6,21	
UCP215	75	82,6	275	217	74	25	28	28	162	-	77,8	33,3	M20	64030	45885	UC215	P215	7,16	
UCP215-45	213/16															UC215-45		7,41	
UCP215-46	27/8															UC215-46		7,30	
UCP215-47	215/16															UC215-47		7,19	
UCP215-48	3															UC215-48		7,07	
UCP216	80	88,9	292	232	78	25	28	30	174	-	82,6	33,3	M20	69065	50350	UC216	P216	8,10	
UCP216-49	31/16															UC216-49		8,28	
UCP216-50	31/8															UC216-50		8,15	
UCP216-51	33/16															UC216-51		8,02	
UCP217	85	95,2	310	247	83	25	28	32	185	-	85,7	34,1	M20	79800	58805	UC217	P217	9,81	
UCP217-52	3 1/4															UC217-52		10,03	
UCP217-53	35/16															UC217-53		9,89	
UCP217-55	37/16															UC217-55		9,60	
UCP218	90	101,6	327	262	88	27	30	33	198	-	96	39,7	M22	91295	67925	UC218	P218	11,96	
UCP218-56	3 1/2															UC218-56		12,07	

Disponibile in acciaio inox Supporto: AISI 304 - Cuscinetto: AISI 440C o 420C - Available stainless steel Housing: AISI 304 - Bearing: AISI 440C or 420C
 Disponibile su richiesta con cuscinetto SA (SAP.) - Available under request with SA bearing (SAP.)