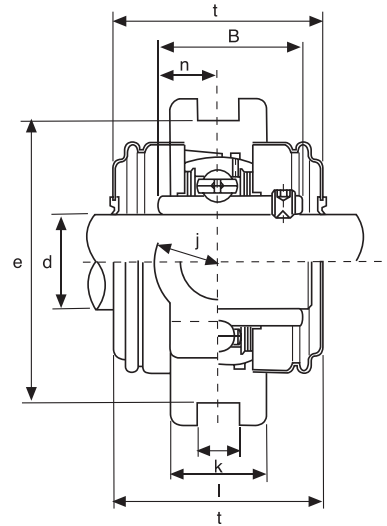
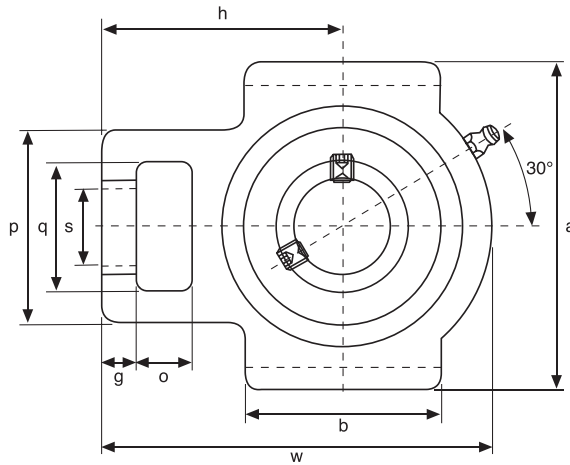
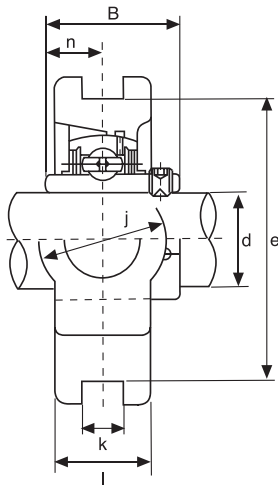


UCT2 Serie normale - Standard duty



Tipo Type	Dimensioni - Dimensions																Coefficients di carico (N) Load ratings (N)		Cuscinetto Bearing	Supporto Housing	Peso Weight		
	d	e	g	p	q	s	b	k	e	a	w	j	l	h	t	B	N	Dinamico C Dynamic C				Statico C ₀ Static C ₀	kg
	mm/inch																						
UCT201 UCT201-8	12 1/2	16 5/8	10 25/64	51 11/64	32 1 1/4	19 3/4	51 21/64	12 15/32	76 263/64	89 3 1/2	94 311/16	32 1 1/4	24 15/16	61 213/32	44,5 1 3/4	31 1,2205	12,7 0,500	12160	6318	UC201 UC201-8	T204	0,80 0,79	
UCT202 UCT202-9 UCT202-10	15 9/16 5/8	16 5/8	10 25/64	51 11/64	32 1 1/4	19 3/4	51 21/64	12 15/32	76 263/64	89 3 1/2	94 311/16	32 1 1/4	24 15/16	61 213/32	44,5 1 3/4	31 1,2205	12,7 0,500	12160	6318	UC202 UC202-9 UC202-10	T204	0,79 0,79 0,79	
UCT203 UCT203-11	17 11/16	16 5/8	10 25/64	51 11/64	32 1 1/4	19 3/4	51 21/64	12 15/32	76 263/64	89 3 1/2	94 311/16	32 1 1/4	24 15/16	61 213/32	44,5 1 3/4	31 1,2205	12,7 0,500	12160	6318	UC203 UC203-11	T204	0,78 0,77	
UCT204 UCT204-12	20 3/4	16 5/8	10 25/64	51 11/64	32 1 1/4	19 3/4	51 21/64	12 15/32	76 263/64	89 3 1/2	94 311/16	32 1 1/4	24 15/16	61 213/32	44,5 1 3/4	31 1,2205	12,7 0,500	12160	6318	UC204 UC204-12	T204	0,76 0,76	
UCT205 UCT205-13 UCT205-14 UCT205-15 UCT205-16	25 13/16 7/8 15/16 1	16 5/8	10 25/64	51 11/64	32 1 1/4	19 3/4	51 21/64	12 15/32	76 263/64	89 3 1/2	97 313/16	32 1 1/4	24 15/16	62 27/16	48 17/8	34,1 1,3425	14,3 0,563	13300	7457	UC205 UC205-13 UC205-14 UC205-15 UC205-16	T205	0,81 0,85 0,84 0,82 0,81	
UCT206 UCT206-17 UCT206-18 UCT206-19 UCT206-20	30 11/16 1 1/8 13/16 1 1/4	16 5/8	10 25/64	56 27/32	37 129/64	22 55/64	57 2 1/4	12 15/32	89 3 1/2	102 41/64	113 429/64	37 129/64	28 13/32	70 2 3/4	53 23/32	38,1 1,5000	15,9 0,626	18525	10735	UC206 UC206-17 UC206-18 UC206-19 UC206-20	T206	1,22 1,23 1,24 1,22 1,21	
UCT207 UCT207-20 UCT207-21 UCT207-22 UCT207-23	35 1 1/4 15/16 13/8 17/16	16 5/8	13 33/64	64 233/64	37 129/64	22 55/64	64 233/64	12 15/32	89 3 1/2	102 41/64	129 55/64	37 129/64	30 13/16	78 35/64	59,5 211/32	42,9 1,6890	17,5 0,689	24415	14630	UC207 UC207-20 UC207-21 UC207-22 UC207-23	T207	1,44 1,50 1,48 1,44 1,41	
UCT208 UCT208-24 UCT208-25	40 1 1/2 19/16	19 3/4	16 5/8	83 317/64	49 115/16	29 19/64	83 317/64	16 5/8	102 41/64	114 431/64	144 543/64	49 115/16	35 13/8	89 3 1/2	69 223/32	49,2 1,9370	19 0,748	27645	16910	UC208 UC208-24 UC208-25	T208	2,40 2,44 2,41	
UCT209 UCT209-26 UCT209-27 UCT209-28	45 15/8 111/16 1 3/4	19 3/4	16 5/8	83 317/64	49 115/16	29 19/64	83 317/64	16 5/8	102 41/64	117 439/64	144 543/64	49 115/16	35 13/8	87 327/64	69 223/32	49,2 1,9370	19 0,748	32395	20235	UC209 UC209-26 UC209-27 UC209-28	T209	2,36 2,46 2,42 2,38	
UCT210 UCT210-29 UCT210-30 UCT210-31 UCT210-32	50 113/16 17/8 115/16 2	19 3/4	16 5/8	83 317/64	49 115/16	29 19/64	86 317/64	16 5/8	102 41/64	117 439/64	149 555/64	49 115/16	35 13/8	90 335/64	74,5 215/16	51,6 2,0315	19 0,748	33345	22135	UC210 UC210-29 UC210-30 UC210-31 UC210-32	T210	2,43 2,55 2,50 2,45 2,41	
UCT211 UCT211-32 UCT211-33 UCT211-34 UCT211-35	55 2 21/16 21/8 23/16	25 63/64	19 3/4	102 41/64	64 21/32	35 13/8	95 3 3/4	22 55/64	130 51/8	146 5 5/8	171 647/64	64 233/64	41 15/8	106 411/64	76 3	55,6 2,1890	22,2 0,874	41230	27930	UC211 UC211-32 UC211-33 UC211-34 UC211-35	T211	4,11 4,26 4,20 4,15 4,09	
UCT212 UCT212-36 UCT212-37 UCT212-38 UCT212-39	60 2 1/4 25/16 23/8 27/16	32 117/64	19 3/4	102 41/64	64 21/32	35 13/8	102 41/64	22 55/64	130 51/8	146 5 5/8	194 741/64	64 233/64	46 113/16	119 6411/16	89 3 1/2	65,1 2,5630	25,4 1,000	49780	34390	UC212 UC212-36 UC212-37 UC212-38 UC212-39	T212	4,97 5,10 5,02 4,95 4,88	
UCT213 UCT213-40 UCT213-41	65 2 1/2 29/16	32 117/64	21 53/64	111 43/8	70 2 3/4	41 139/64	121 449/64	26 11/32	151 515/16	167 637/64	224 813/16	70 2 3/4	51 2	137 525/64	89 3 1/2	65,1 2,5630	25,4 1,000	54340	38095	UC213 UC213-40 UC213-41	T213	6,65 6,74 6,65	
UCT214 UCT214-42 UCT214-43 UCT214-44	70 25/8 211/16 2 3/4	32 117/64	21 53/64	111 43/8	70 2 3/4	41 139/64	121 449/64	26 11/32	151 515/16	167 637/64	224 813/16	70 2 3/4	46 113/16	137 525/64	-	74,6 2,9370	30,2 1,189	59090	41895	UC214 UC214-42 UC214-43 UC214-44	T214	7,05 7,26 7,16 7,06	
UCT215 UCT215-45 UCT215-46 UCT215-47 UCT215-48	75 213/16 27/8 215/16 3	32 117/64	21 53/64	111 43/8	70 2 3/4	41 139/64	121 449/64	26 11/32	151 515/16	167 637/64	232 99/64	70 2 3/4	48 157/64	140 533/64	-	77,8 3,0630	33,3 1,311	64030	45885	UC215 UC215-45 UC215-46 UC215-47 UC215-48	T215	7,41 7,66 7,55 7,44 7,32	
UCT216 UCT216-49 UCT216-50 UCT216-51	80 31/16 31/8 33/16	32 117/64	21 53/64	111 43/8	70 2 3/4	41 139/64	121 449/64	26 11/32	165 5 1/4	184 7 1/4	235 9 1/4	70 2 3/4	51 2	140 533/64	-	82,6 3,2520	33,3 1,311	69065	50350	UC216 UC216-49 UC216-50 UC216-51	T216	8,30 8,48 8,35 8,22	
UCT217 UCT217-52 UCT217-53 UCT217-55	85 3 1/4 35/16 37/16	38 1 1/2	29 19/64	124 47/8	73 27/8	48 157/64	157 63/16	30 13/16	173 613/16	198 751/64	260 1015/64	73 27/8	54 21/8	162 63/8	-	85,7 3,3740	34,1 1,343	79800	58805	UC217 UC217-52 UC217-53 UC217-55	T217	11,00 11,22 11,09 10,80	
UCT218 UCT218-56	90 35/64	41 15/8	31 1,2205	132 513/64	81 36/32	48 157/64	151 645/64	30 13/16	189 751/64	216 8 1/2	280 1113/32	80 35/32	55 2,165	173 613/16	-	96 3,7795	39,7 1,18/32	91295	67925	UC218 UC218-56	T218	12,75 10,62	

Disponibile in acciaio inox Supporto: AISI 304 - Cuscinetto: AISI 440C o 420C - Available stainless steel Housing: AISI 304 - Bearing: AISI 440C or 420C
Disponibile su richiesta con cuscinetto SA (SAT.) - Available under request with SA bearing (SAT.)