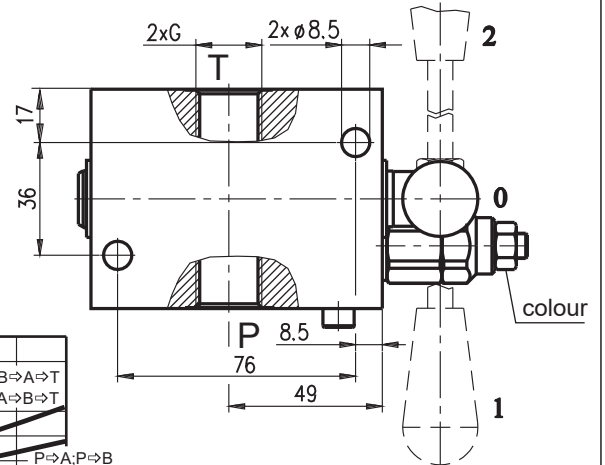
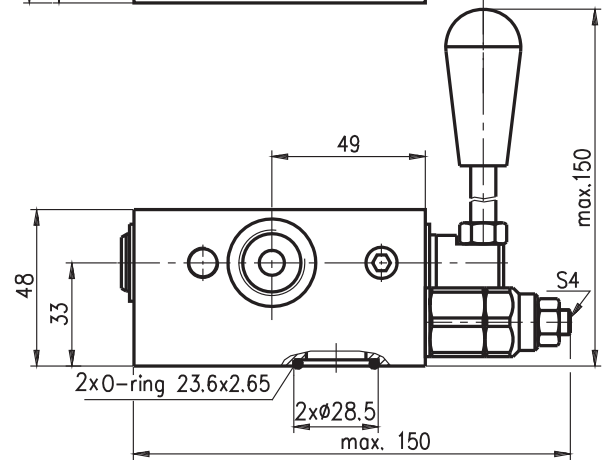
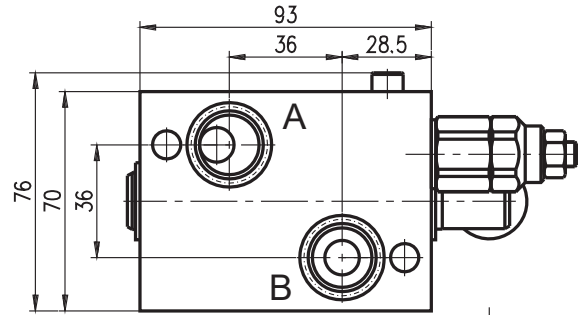
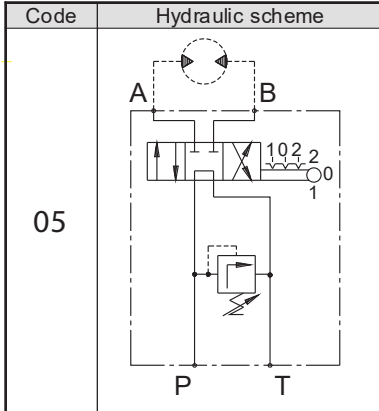
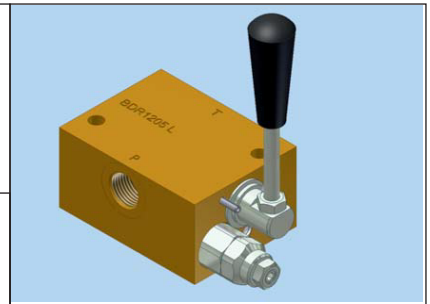


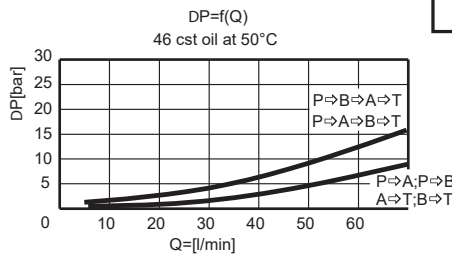
HYDRAULIC MOTOR BLOCKS TYPE BD

BDR 1205 ./...



Pressure range		
Code	Standard setting (Q=5l/min) bar	Adj. pressure range bar
25	180	30...250

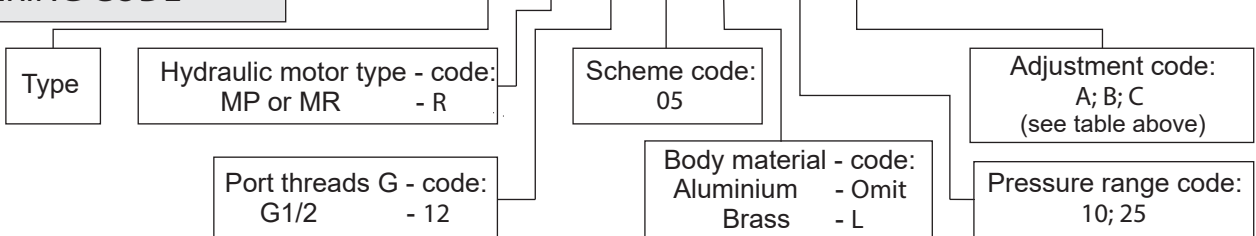
Code	Adjustment
A	Leakproof hex. socket screw



Type	Nom. flow rate	P _{max.}	Port threads G
	L/min	bar	-
BDR 1205 ./...	70	250	G1/2 - DIN 3852

ORDERING CODE

BD R 12 05 L / 10 A



Type

Hydraulic motor type - code:
MP or MR - R

Scheme code:
05

Adjustment code:
A; B; C
(see table above)

Port threads G - code:
G1/2 - 12

Body material - code:
Aluminium - Omit
Brass - L

Pressure range code:
10; 25