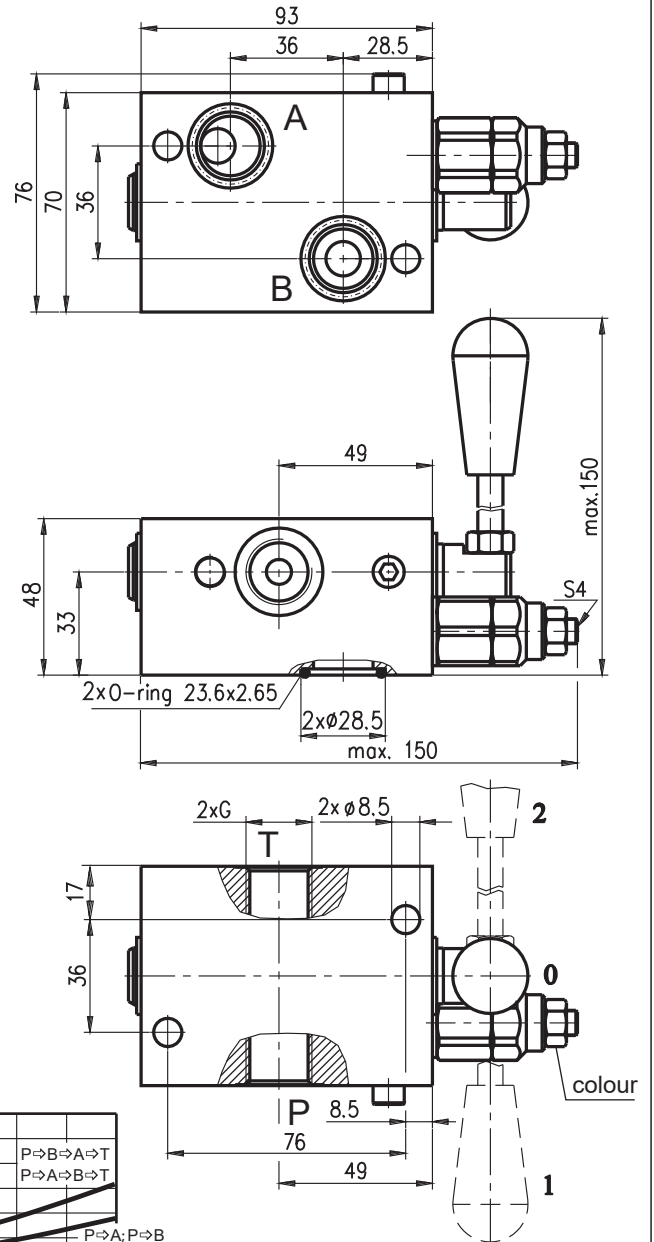
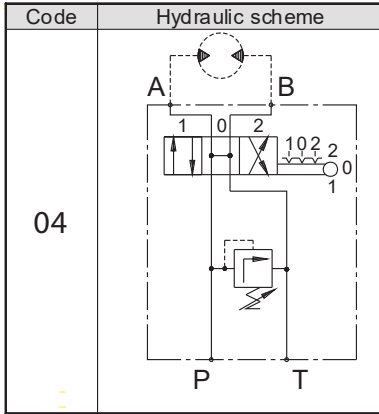


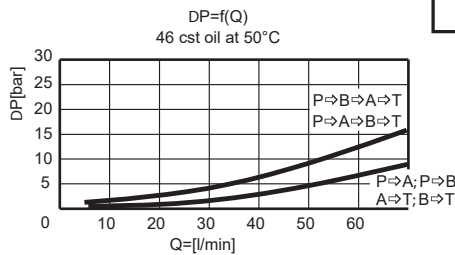
# HYDRAULIC MOTOR BLOCKS TYPE BD

BDR 1204 ./...



Code	Pressure range		
	Standard setting (Q=5l/min) bar	Adj. pressure range bar	Colour
10	80	10...100	White
25	180	30...250	Yellow

Code	Adjustment
A	Leakproof hex. socket screw
B	Handknob and locknut
C	Sealing cap



Type	Nom. flow rate	P max.	Port threads G
	L/min	bar	-
BDR 1204 ./...	60	250	G1/2 - DIN 3852

## ORDERING CODE

BD R 12 04 L / 10 A

