

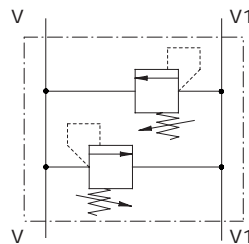
Type VBDC..35 - VBDC..80 pressure relief valves

- Dual cross relief valve

Technical specifications and diagrams are measured with mineral oil of 46 cSt viscosity at 40°C (104°F) temperature.

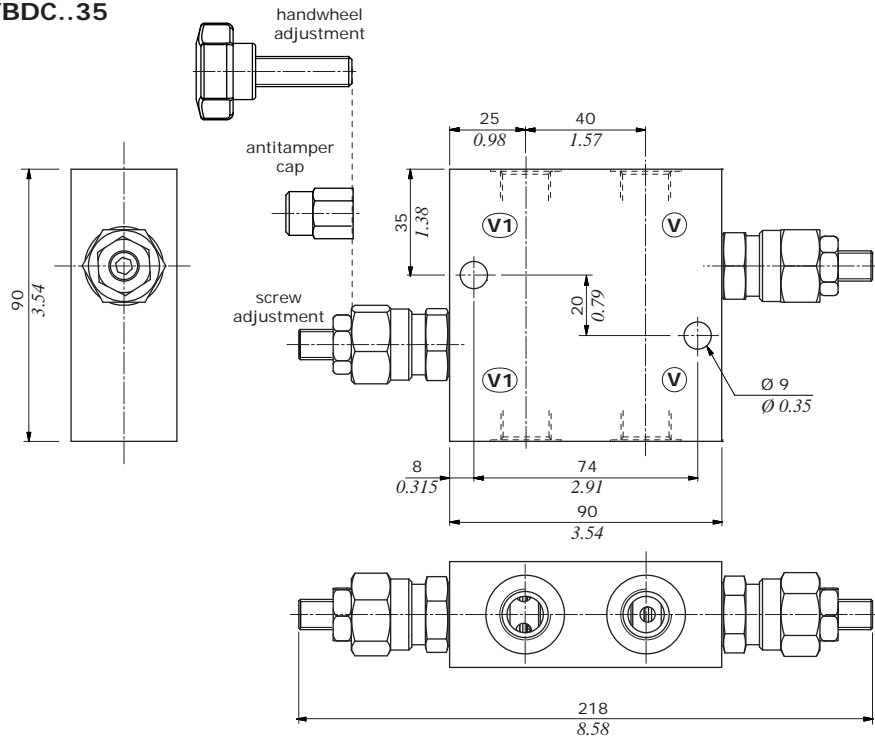
	VBDC..3502	VBDC..3503	VBDC..8003	VBDC..8004
Nominal flow	35 l/min (9.2 US gpm)	35 l/min (9.2 US gpm)	80 l/min (21 US gpm)	80 l/min (21 US gpm)
Max. pressure	Aluminium body = 210 bar (3050 psi) Steel body = 350 bar (5100 psi)			
Fluid	mineral based oil			
Viscosity	from 10 to 200 cSt			
Max. level of contamination	18/16/13 ISO4406			
Fluid temperature	with NBR seals from -20°C (-4°F) to 80°C (176°F)			
Environmental temp. for working conditions	from -40°C (-40°F) to 100°C (212°F)			
Weight	<i>alum.</i>	0.80 kg (1.76 lb)	0.80 kg (1.76 lb)	1.65 kg (3.64 lb)
	<i>steel</i>	2.10 kg (4.63 lb)	2 kg (4.41 lb)	3.30 kg (7.27 lb)

NOTE - For different conditions, please contact Walvoil Sales Dpt.



Dimensions

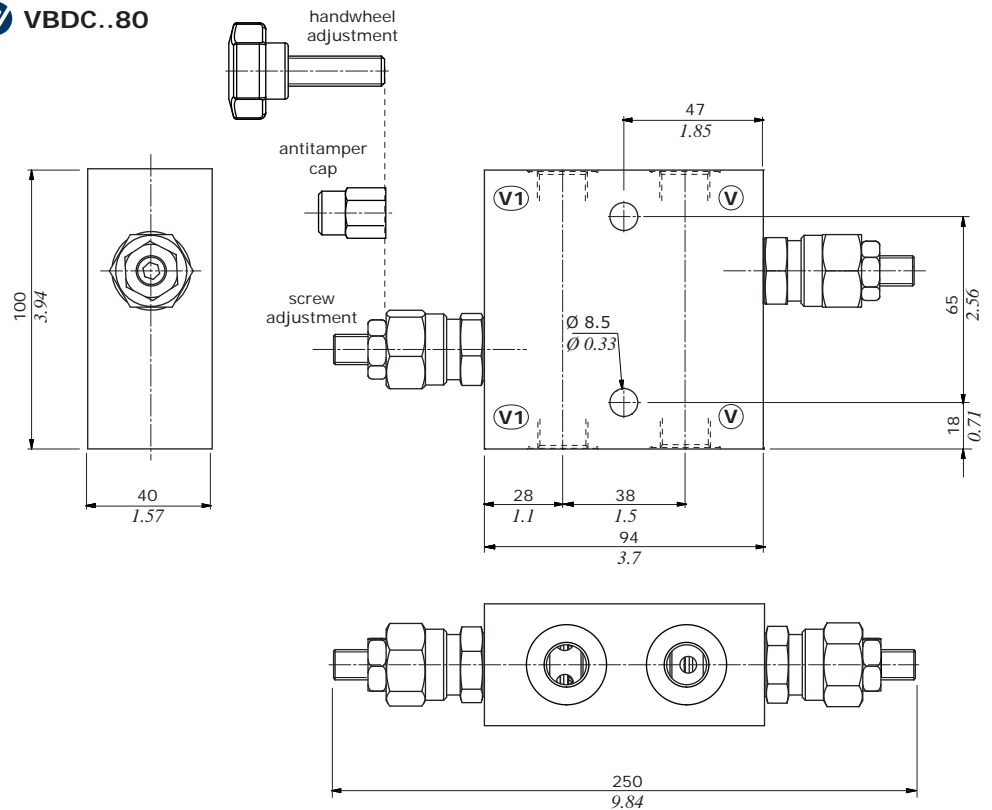
VBDC..35



Valve type	All ports
VBDC..3502	G3/8
VBDC..3503	G1/2

Dimensions are in mm-in

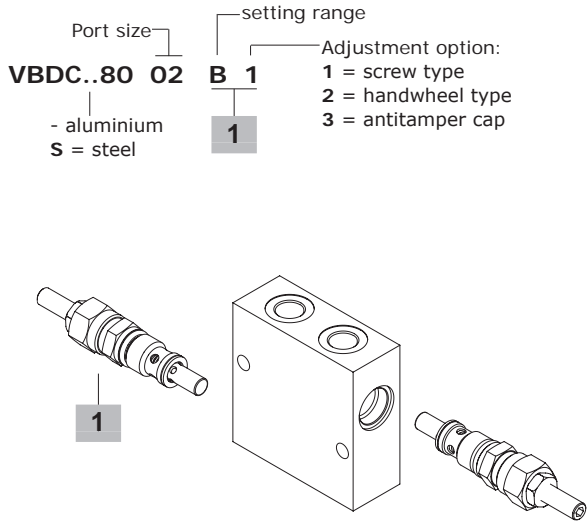
VBDC..80



Valve type	All ports
VBDC..8003	G1/2
VBDC..8004	G3/4

Dimensions are in mm-in

Ordering codes and description composition



Type	Setting range bar (psi)	Std. setting bar (psi)
VMD..35	A 5-50 (72.5-725)	30 (435)
	B 40-210 (580-3050)	150 (2200)
	C 100-350 (1450-5100)	210 (3050)
VMD..80	A 5-50 (72.5-725)	30 (435)
	B 20-260 (290-3770)	150 (2200)
	C 120-350 (1750-5100)	210 (3050)

VBDC..35 - VBDC..80 complete valves

Standard setting 100 bar @ 3 l/min (1450 psi @ 0.79 US gpm)

TYPE	CODE	DESCRIPTION
Configuration with G3/8 standard thread		
VBDC3502B1	1145221100	Aluminium body, setting range 40-210 bar (580-3045 psi)
VBDCS3502B1	1145222100	Steel body, setting range 40-210 bar (580-3045 psi)
Configuration with G1/2 standard thread		
VBDC3503B1	1145221101	Aluminium body, setting range 40-210 bar (580-3045 psi)
VBDCS3503B1	1145222101	Steel body, setting range 40-210 bar (580-3045 psi)
Configuration with G3/4 standard thread		
VBDC8004B1	1145231100	Aluminium body, setting range 20-260 bar (290-3770 psi)
VBDCS8004C1	1145232100	Steel body, setting range 120-350 bar (1740-5070 psi)

For different configurations and SAE thread please contact our Sales Dpt.

1 Direct acting pressure relief valves

Standard setting 100 bar @ 3 l/min (1450 psi @ 0.79 US gpm)

TYPE	CODE	DESCRIPTION
For VBDC..35 valve		
VMDC35B1 (M20X1,5)	1100220400	Screw adjustment from 40 to 210 bar (580-3050 psi)
For VBDC..80 valve		
VMDC80B1 (M26X1,5)	1100230400	Screw adjustment from 20 to 260 bar (290-3770 psi)

Rating diagrams

